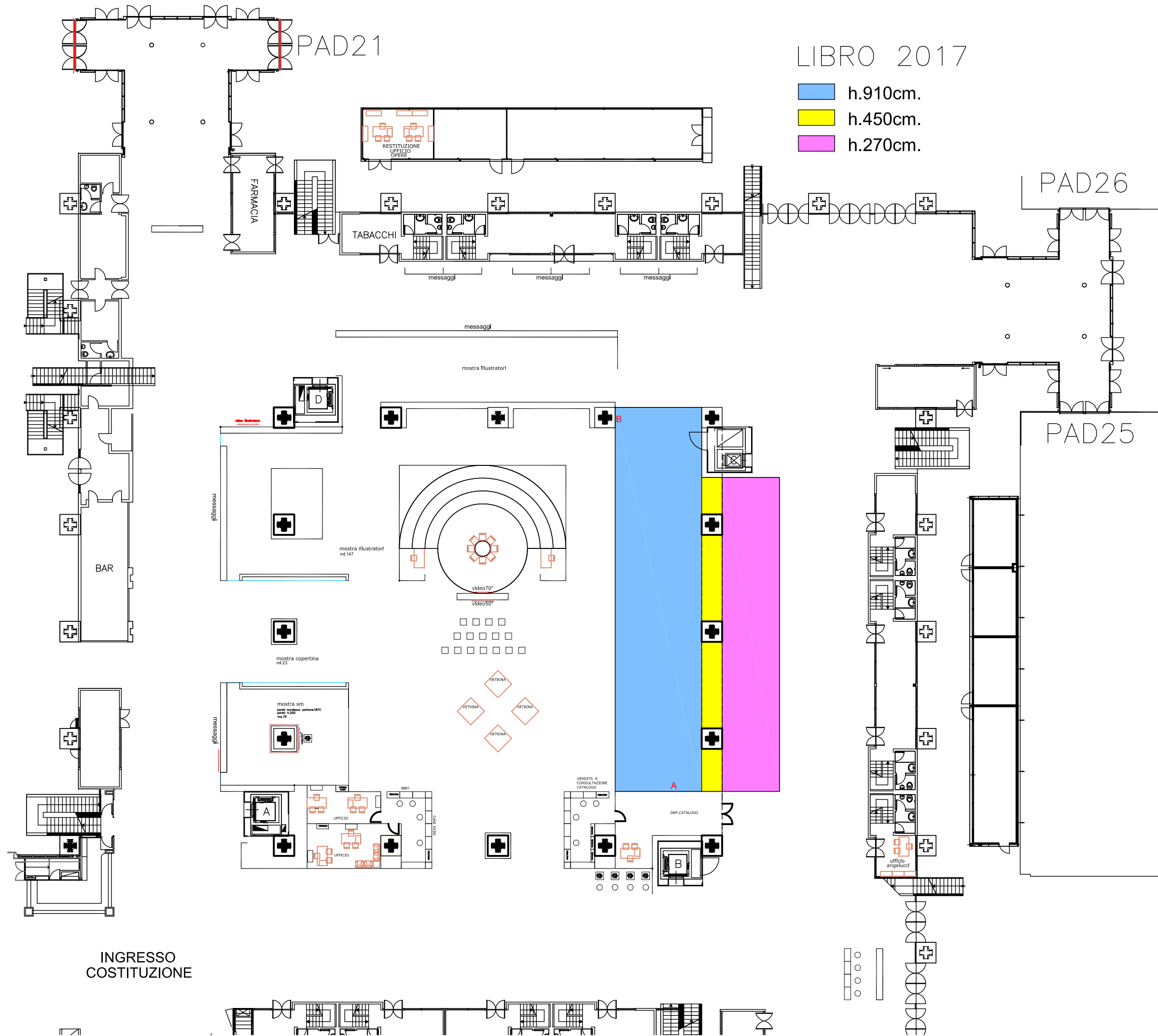


**ANNEX I-A**  
**PLÀNOLS DEL CENTRE DE SERVEIS DE LA FIRA DE BOLONYA ON S'UBICARÀ**  
**L'EXPOSICIÓ DEL CONVIDAT D'HONOR**



PAD21

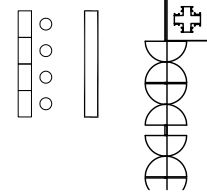
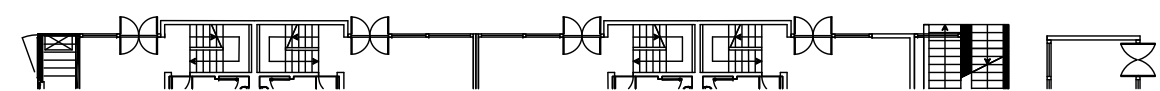
LIBRO 2017

- h.910cm.
- h.450cm.
- h.270cm.

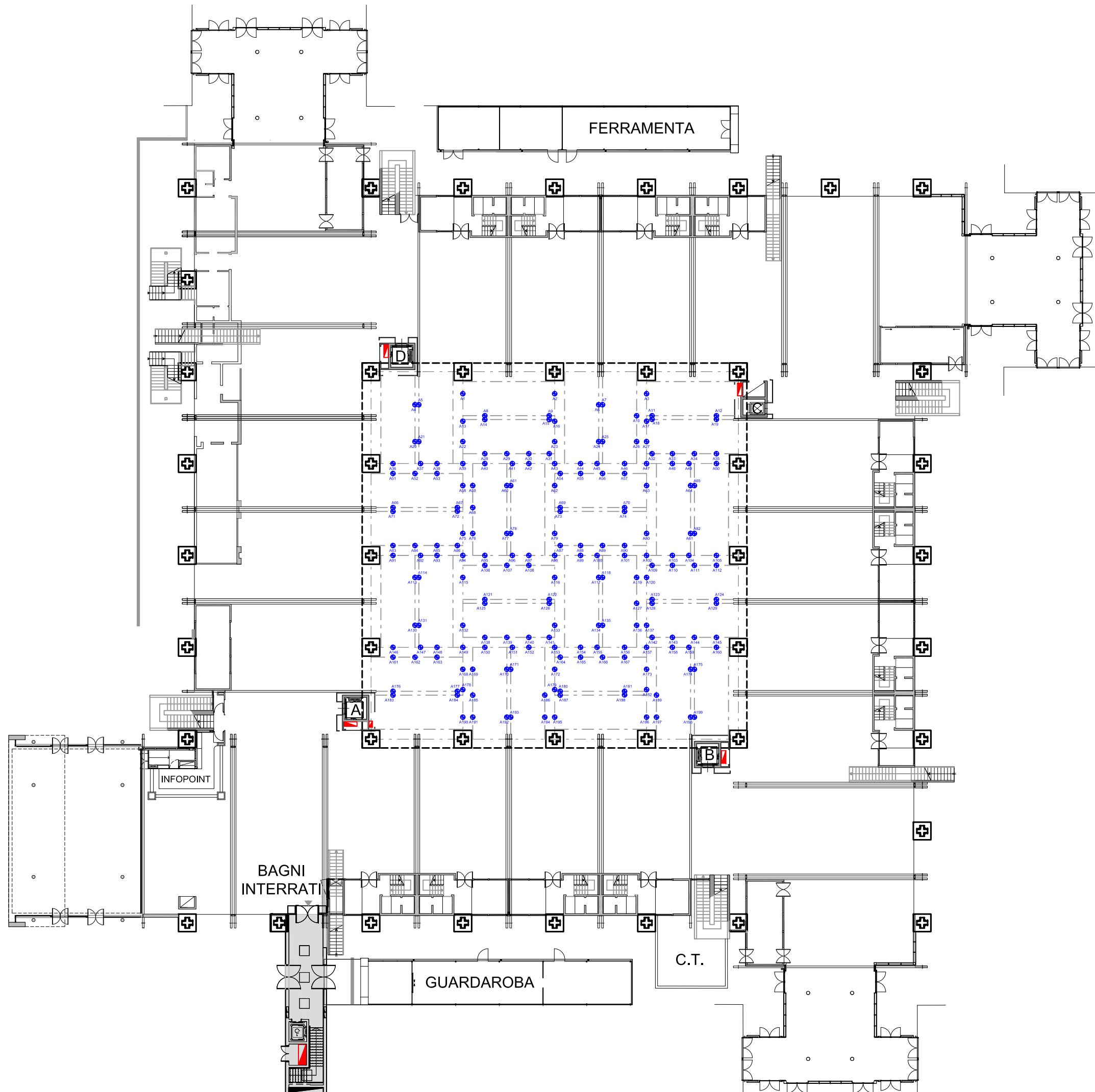
PAD26

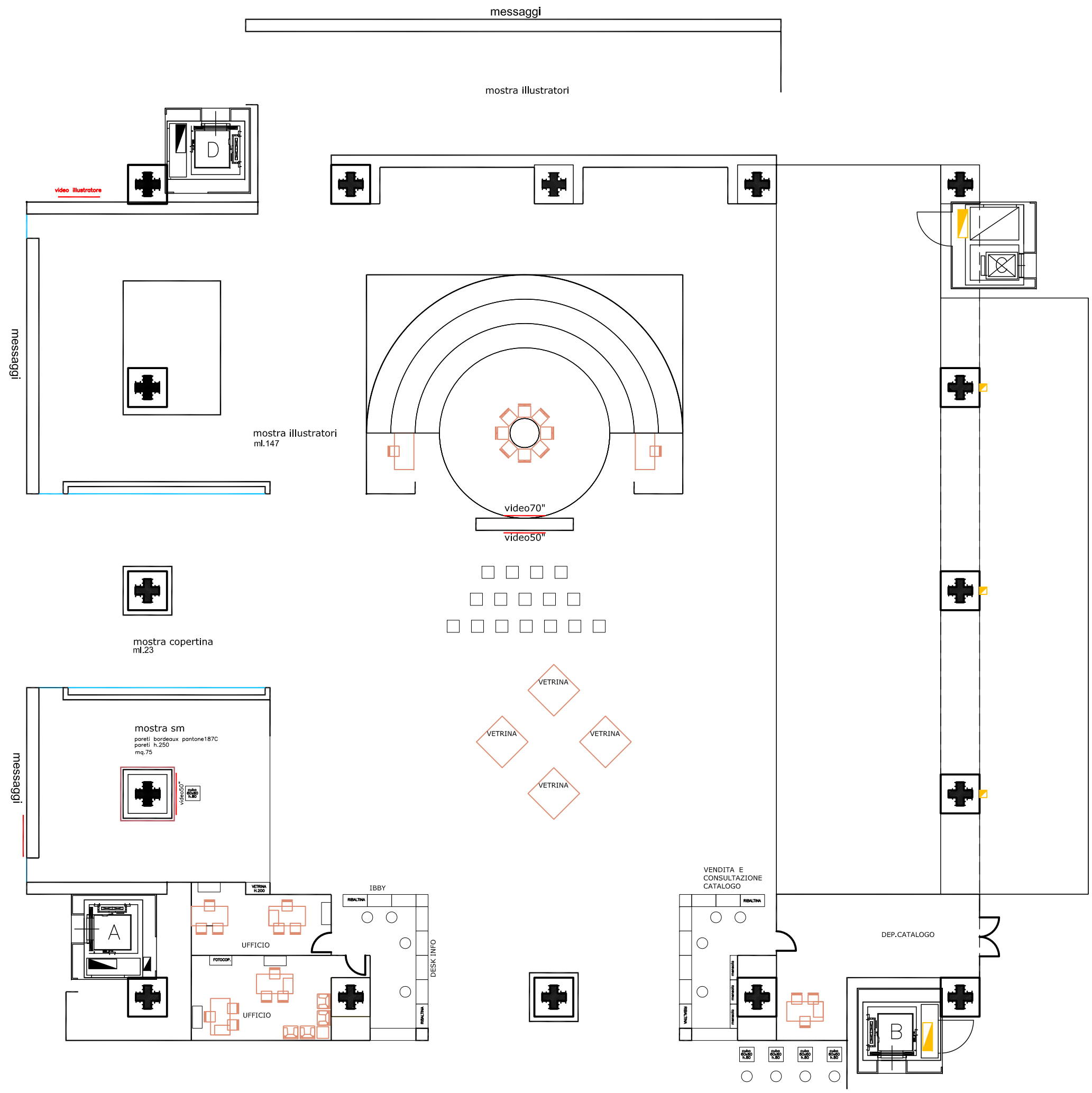
PAD25

INGRESSO COSTITUZIONE

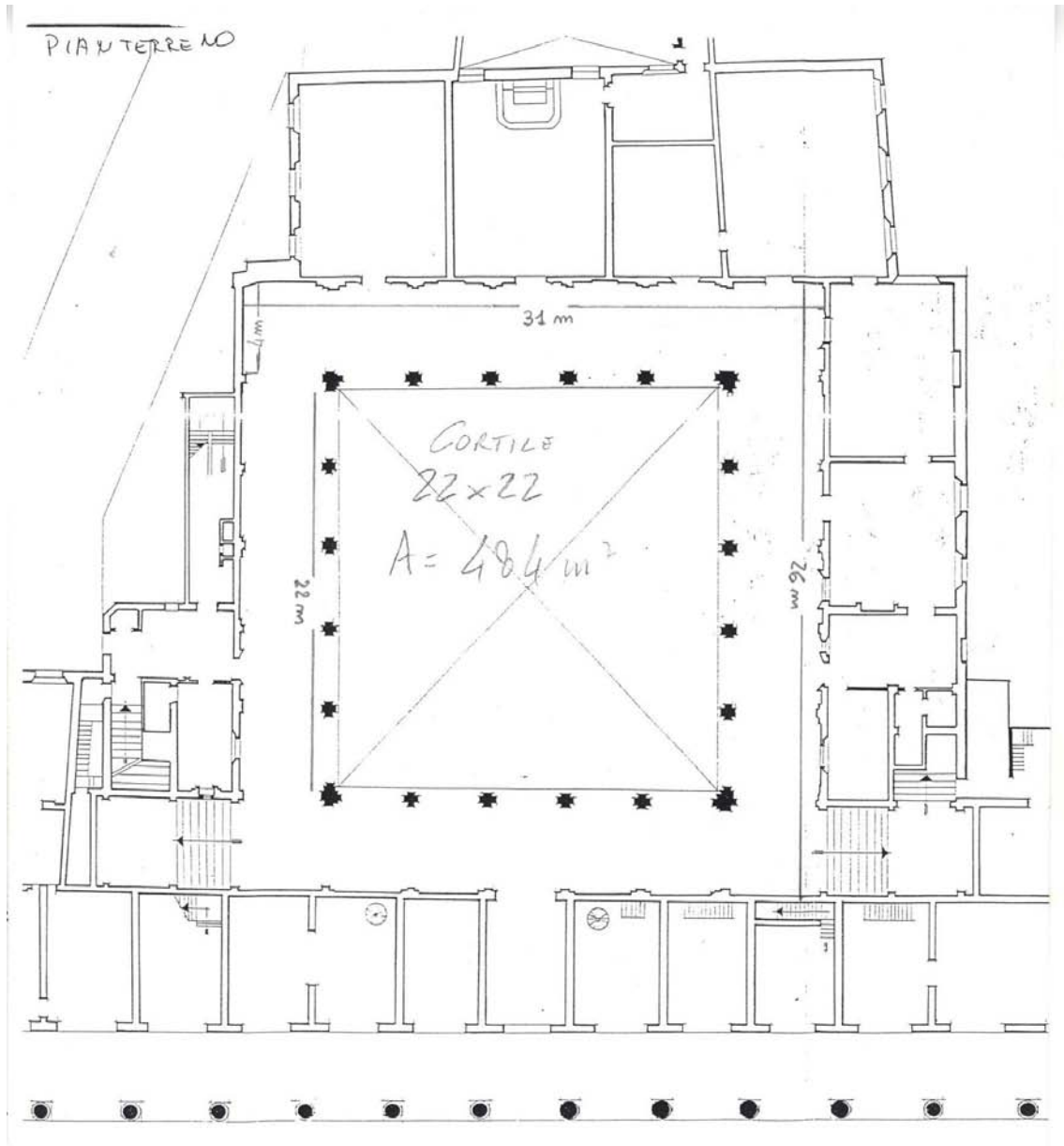


CENTRO SERVIZI

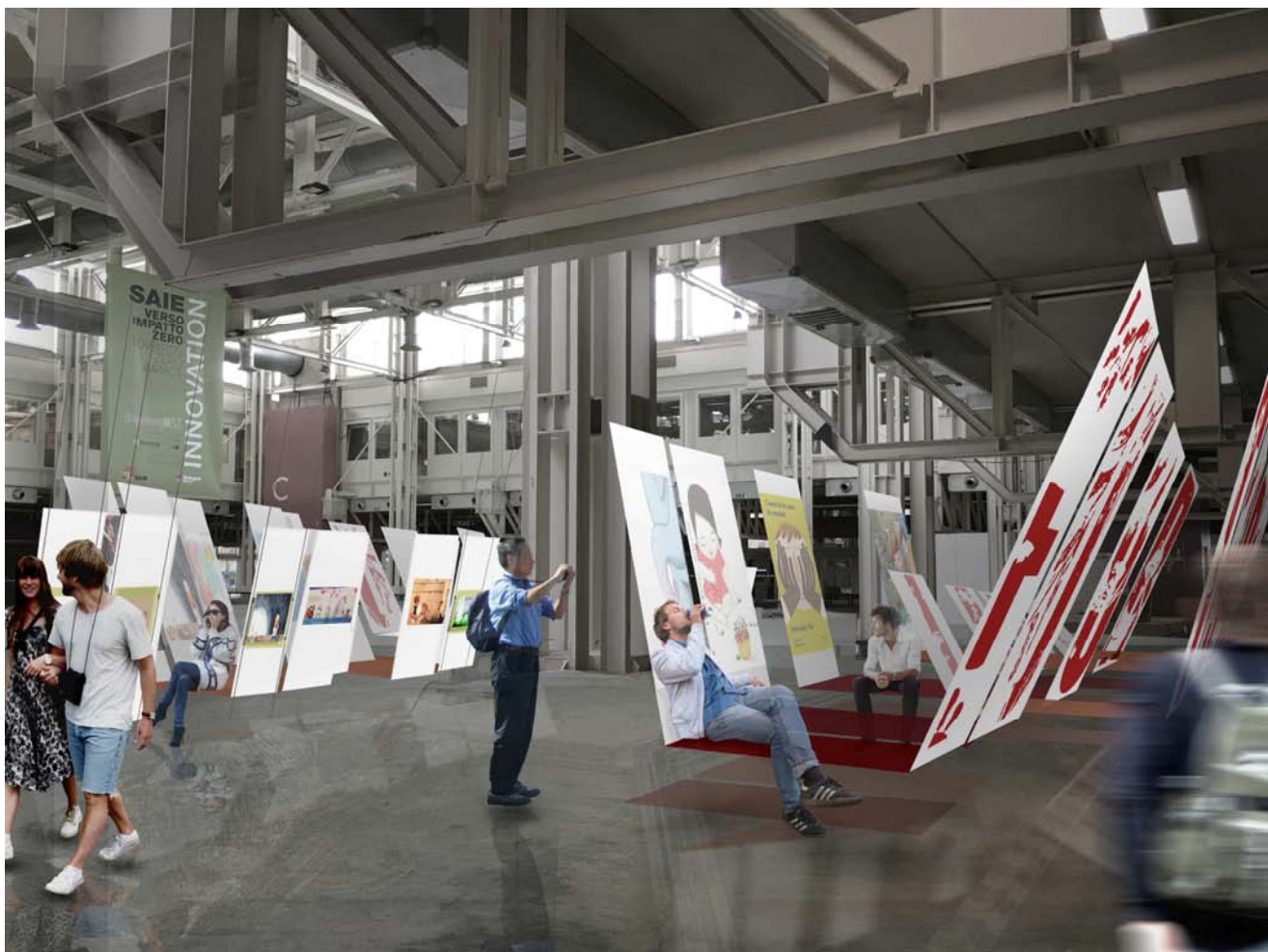




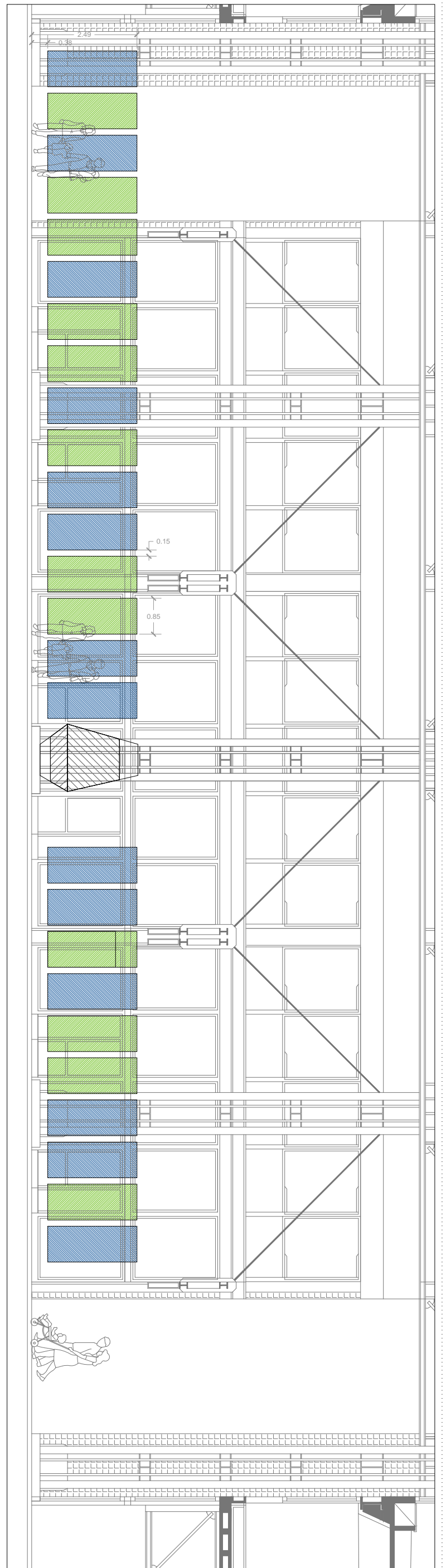
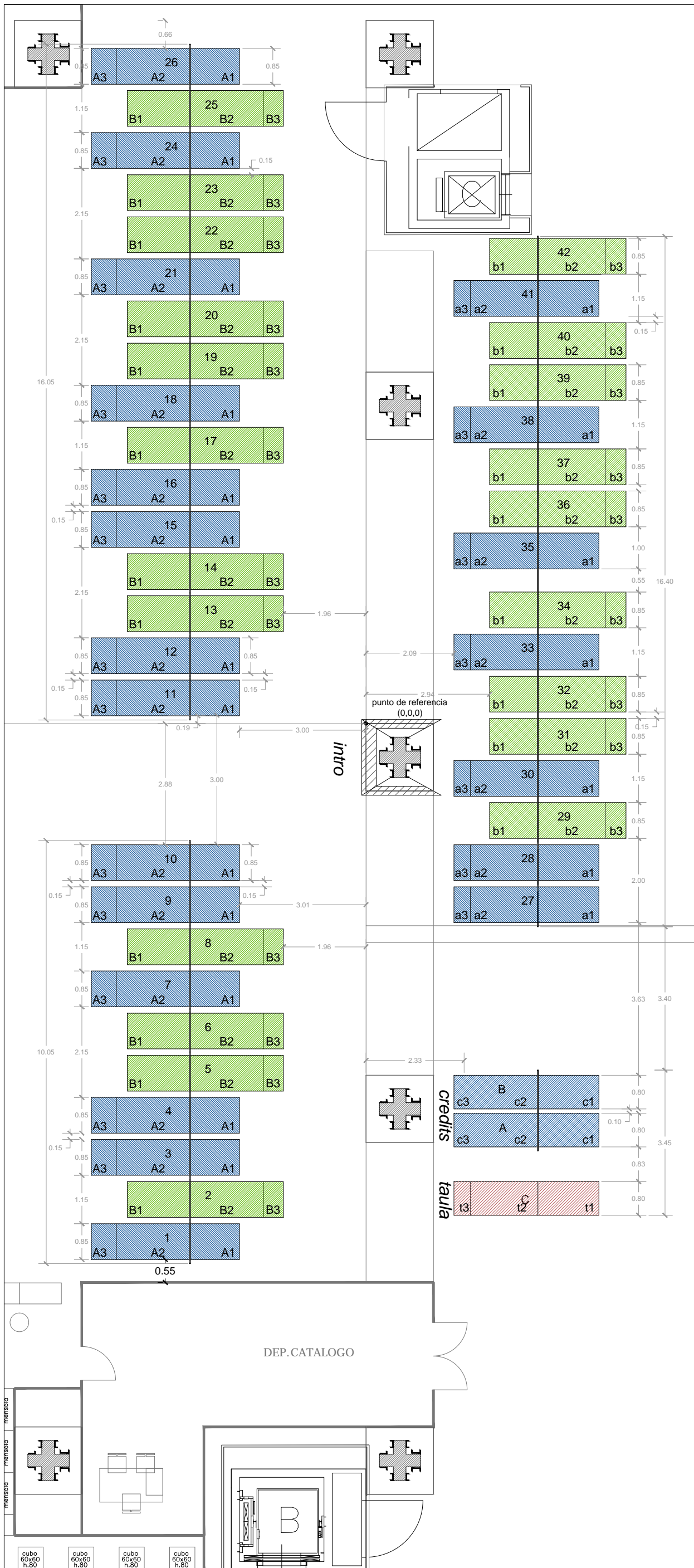
**ANNEX I-B**  
**PLÀNOL DEL CLAUSTRE DE LA BIBLIOTECA DE L'ARCHIGINNASIO AL**  
**CENTRE HISTÒRIC DE BOLONYA**



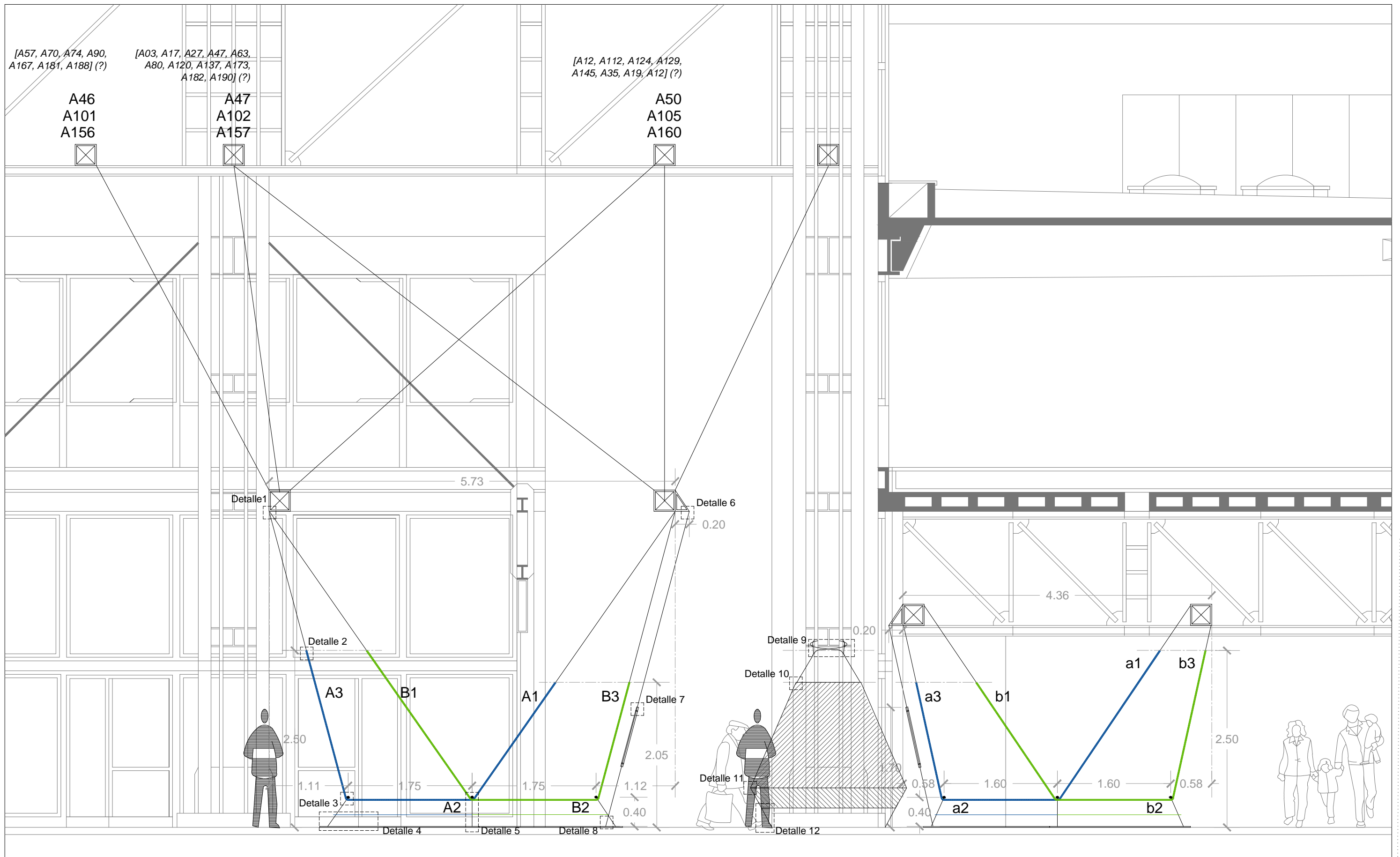
**ANNEX I-C**  
**PRESENTACIÓ DE L'EXPOSICIÓ *SHARING A FUTURE. BOOKS IN CATALAN* A LA FIRA DE BOLONYA**



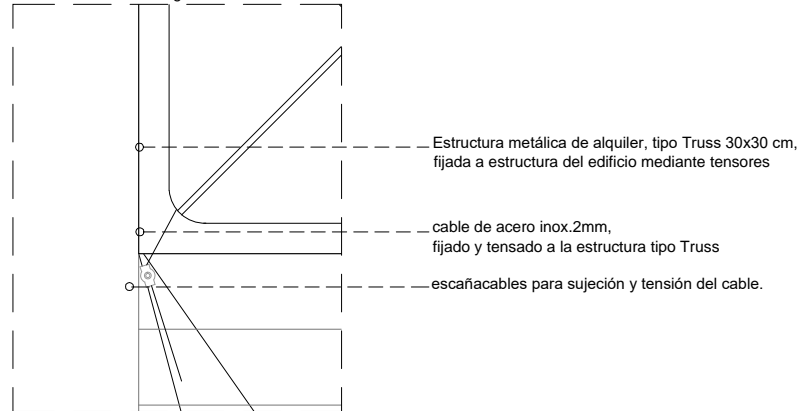
**ANNEX I-D**  
**PROJECTE EXECUTIU DE L'EXPOSICIÓ *SHARING A FUTURE. BOOKS IN***  
**CATALAN A LA FIRA DE BOLONYA**







Detalle D1  
Enlace de cable con viga Truss e: 1/5

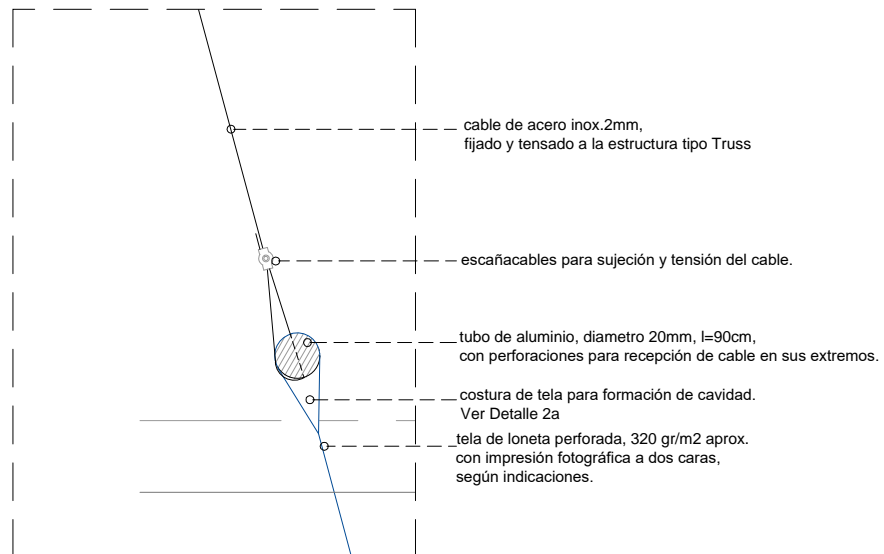


Estructura metálica de alquiler, tipo Truss 30x30 cm, fijada a estructura del edificio mediante tensores

cable de acero inox.2mm, fijado y tensado a la estructura tipo Truss

escañacables para sujeción y tensión del cable.

Detalle D2  
Unión de cable con tela de hamaca e: 1/5



cable de acero inox.2mm, fijado y tensado a la estructura tipo Truss

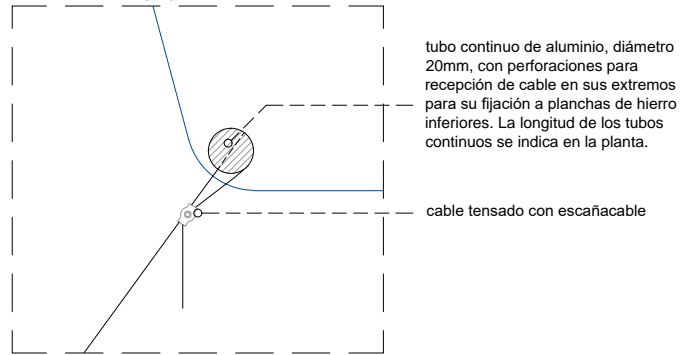
escañacables para sujeción y tensión del cable.

tubo de aluminio, diametro 20mm, l=90cm, con perforaciones para recepción de cable en sus extremos.

costura de tela para formación de cavidad. Ver Detalle 2a

tela de loneta perforada, 320 gr/m2 aprox. con impresión fotográfica a dos caras, según indicaciones.

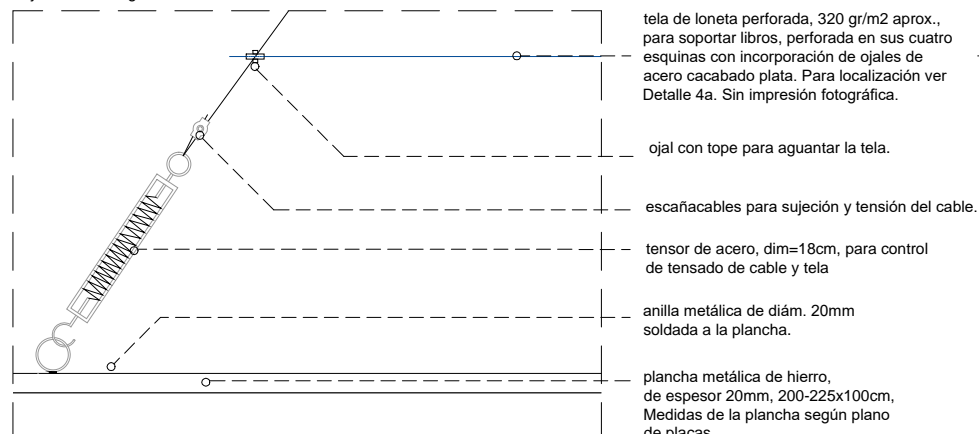
Detalle D3  
Atado de cable a eje fijo e: 1/5



tubo continuo de aluminio, diámetro 20mm, con perforaciones para recepción de cable en sus extremos para su fijación a planchas de hierro inferiores. La longitud de los tubos continuos se indica en la planta.

cable tensado con escañacable

Detalle D4  
Sujeción de tela guarda libros e: 1/5



tela de loneta perforada, 320 gr/m2 aprox., para soportar libros, perforada en sus cuatro esquinas con incorporación de ojales de acero cacabado plata. Para localización ver Detalle 4a. Sin impresión fotográfica.

ojal con tope para aguantar la tela.

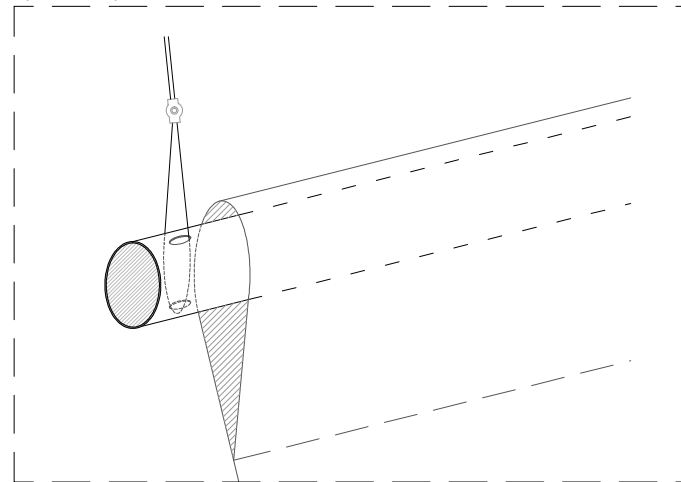
escañacables para sujeción y tensión del cable.

tensor de acero, dim=18cm, para control de tensado de cable y tela

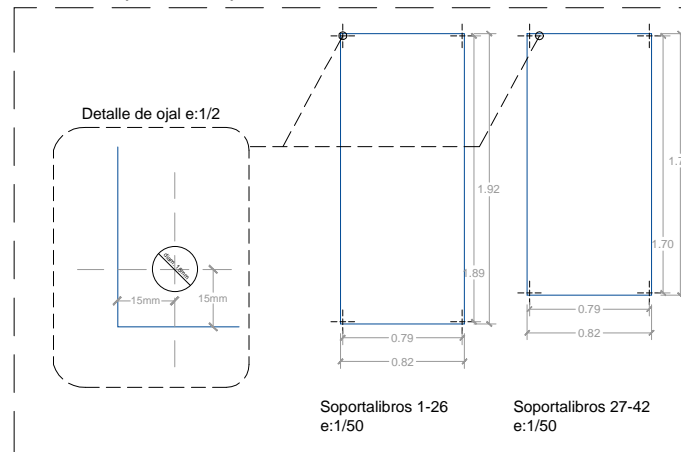
anilla metálica de diám. 20mm soldada a la plancha.

plancha metálica de hierro, de espesor 20mm, 200-225x100cm, Medidas de la plancha según plano de placas.

Detalle 2a  
Ojal en tela sujeta libros



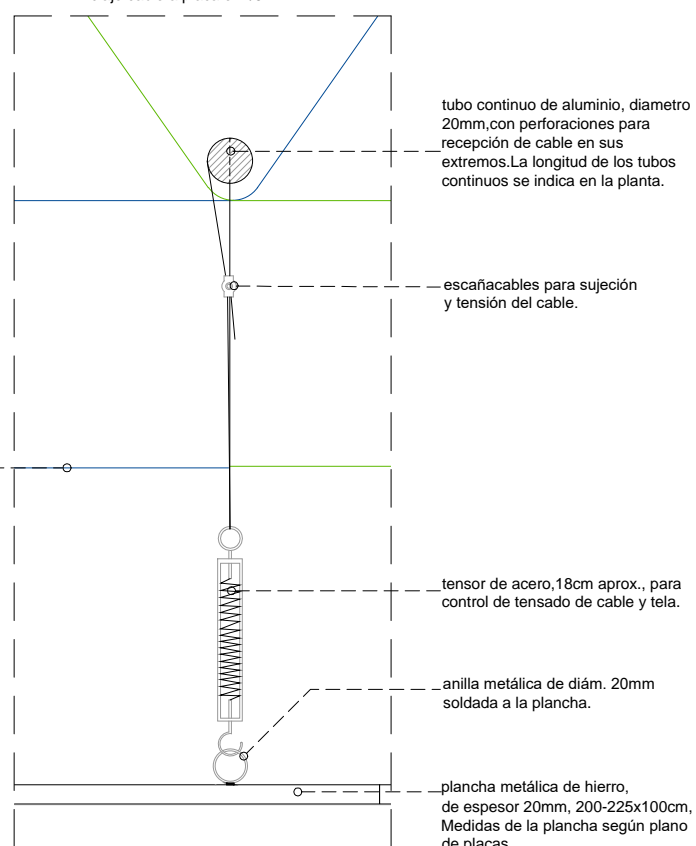
Detalle 4a  
Perforación de ojales en tela sujeta libros e: 1/50



Soportalibros 1-26 e:1/50

Soportalibros 27-42 e:1/50

Detalle D5  
Anclaje cable a placa e: 1/5



tubo continuo de aluminio, diametro 20mm, con perforaciones para recepción de cable en sus extremos. La longitud de los tubos continuos se indica en la planta.

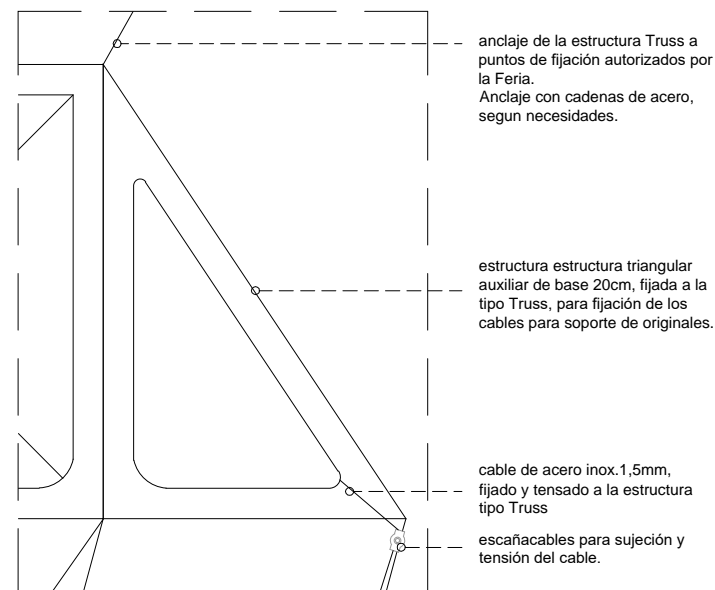
escañacables para sujeción y tensión del cable.

tensor de acero, 18cm aprox., para control de tensado de cable y tela.

anilla metálica de diám. 20mm soldada a la plancha.

plancha metálica de hierro, de espesor 20mm, 200-225x100cm, Medidas de la plancha según plano de placas.

Detalle D6  
Enlace de cable con escuadra auxiliar e: 1/5



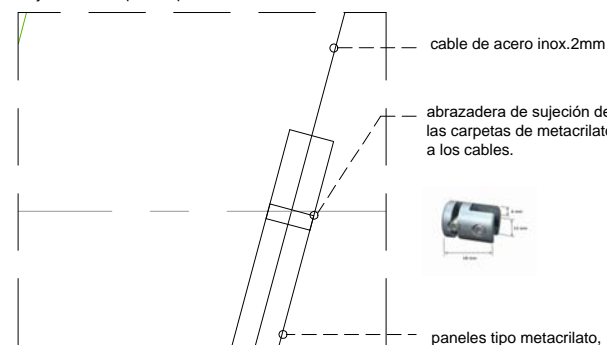
anclaje de la estructura Truss a puntos de fijación autorizados por la Feria. Anclaje con cadenas de acero, según necesidades.

estructura estructura triangular auxiliar de base 20cm, fijada a la tipo Truss, para fijación de los cables para soporte de originales.

cable de acero inox.1.5mm, fijado y tensado a la estructura tipo Truss

escañacables para sujeción y tensión del cable.

Detalle D7 y D8  
Sujeción de carpetas tipo metacrilato e: 1/5

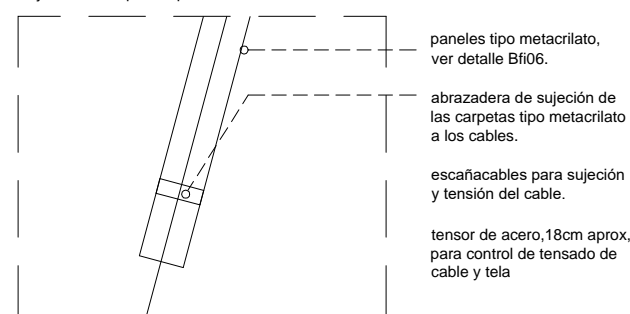


cable de acero inox.2mm

abrazadera de sujeción de las carpetas de metacrilato a los cables.

paneles tipo metacrilato, ver detalle Bfi06.

Detalle D7 y D8  
Sujeción de carpetas tipo metacrilato e: 1/5



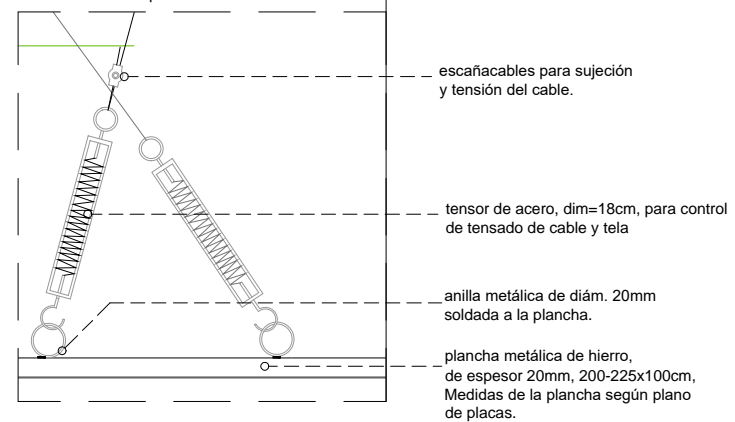
paneles tipo metacrilato, ver detalle Bfi06.

abrazadera de sujeción de las carpetas tipo metacrilato a los cables.

escañacables para sujeción y tensión del cable.

tensor de acero, 18cm aprox., para control de tensado de cable y tela

Detalle D8  
Unión del tensor a placa metálica e: 1/5



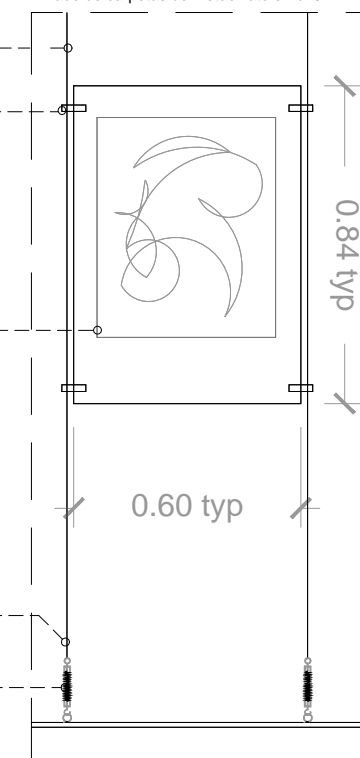
escañacables para sujeción y tensión del cable.

tensor de acero, dim=18cm, para control de tensado de cable y tela

anilla metálica de diám. 20mm soldada a la plancha.

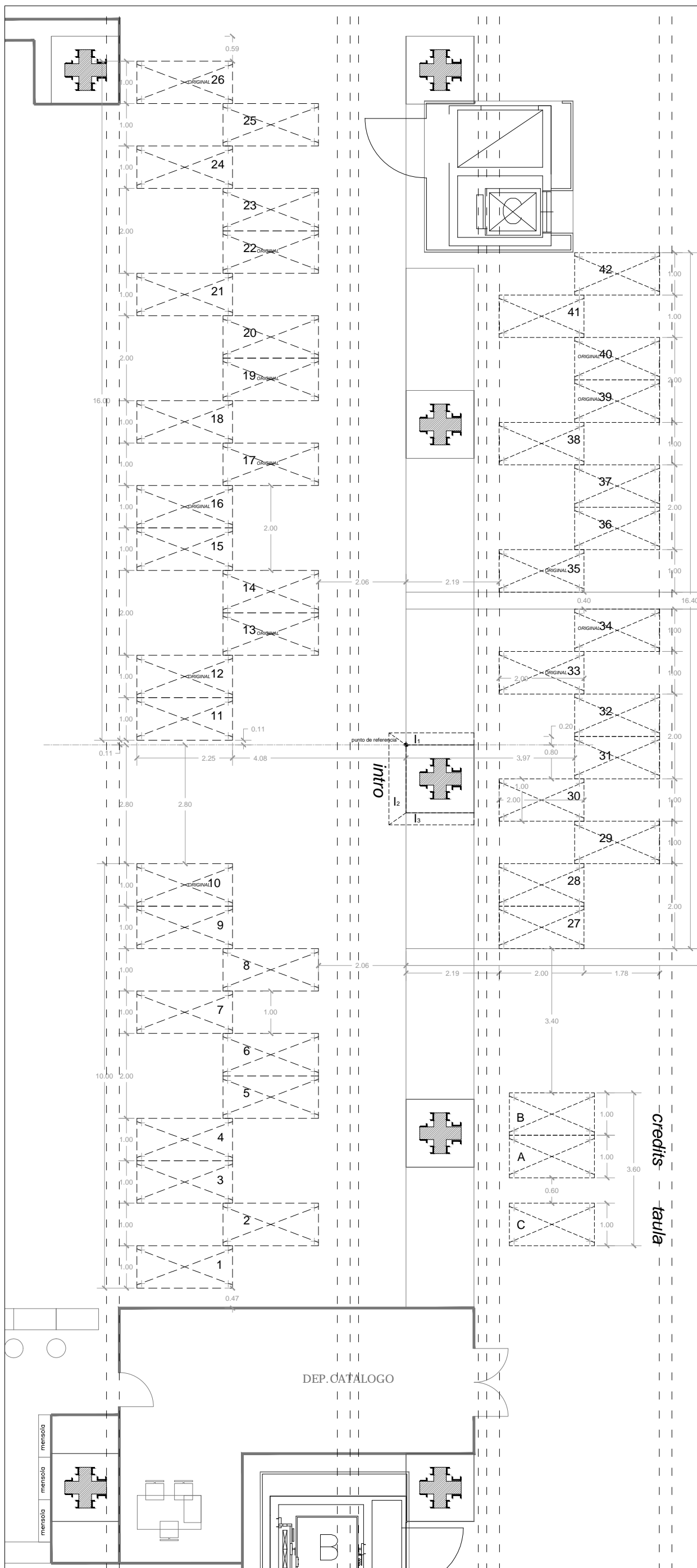
plancha metálica de hierro, de espesor 20mm, 200-225x100cm, Medidas de la plancha según plano de placas.

Detalle D7 y D8  
Alzado de carpetas de metacrilato e: 1/20



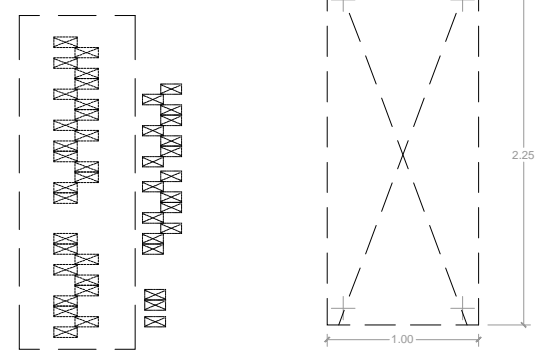
0.84 typ

0.60 typ



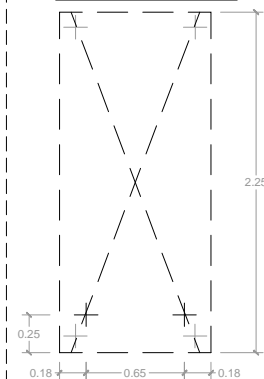
Placas de la 1 a la 26

Detalle placa 1/50 de dimensiones 2,25x1m y de espesor 20mm.

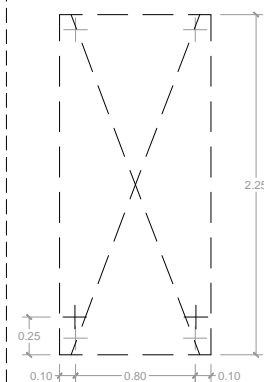


ANCLAJE PARA LOS ORIGINALES

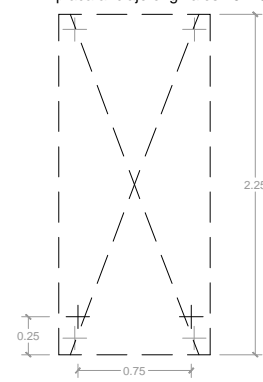
placa tipo originales (225): 12, 13, 17, 22, 26



placa anclaje originales 80: 10

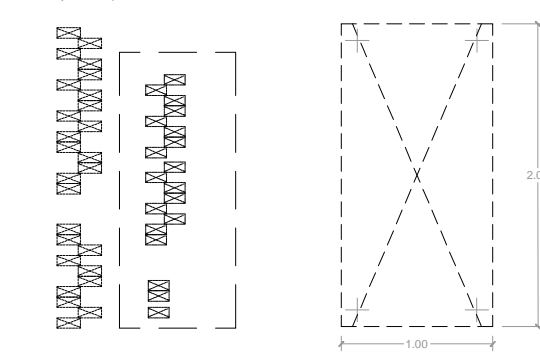


placa anclaje originales 75: 16 y 19



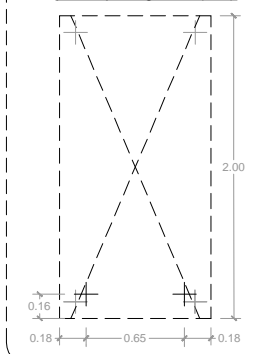
Placas de la 27 a la 42 y A, B, C

Detalle placa 1/50 de dimensiones 2,25x1m y de espesor 20mm.

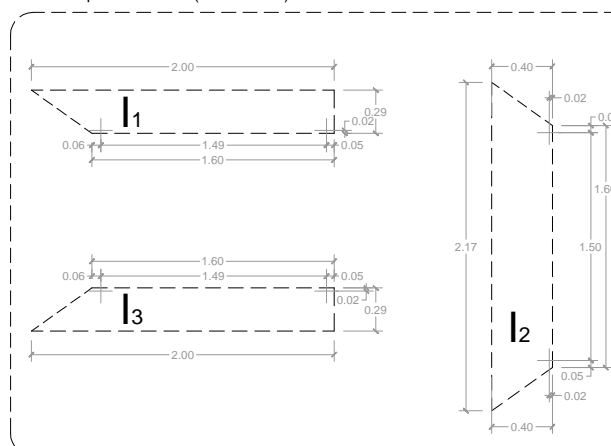


ANCLAJE PARA LOS ORIGINALES

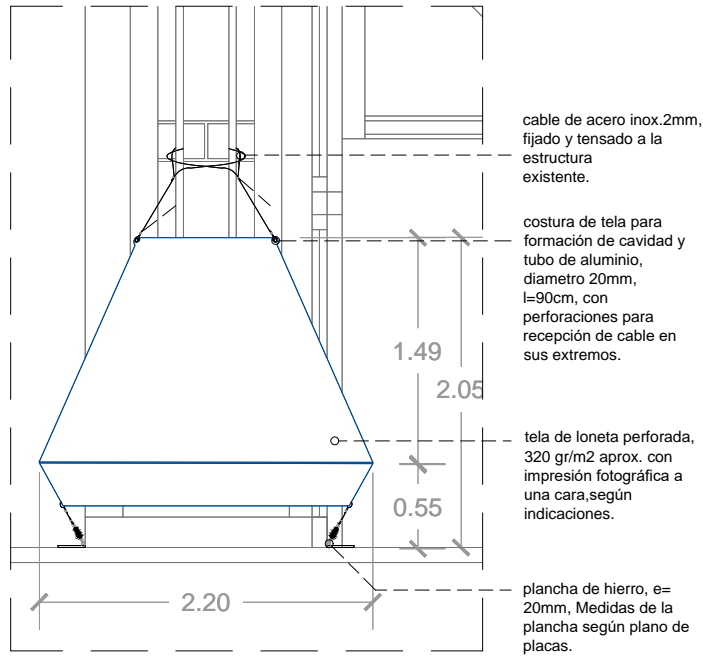
placa tipo originales (200): 33, 34, 35, 38, 39, 40



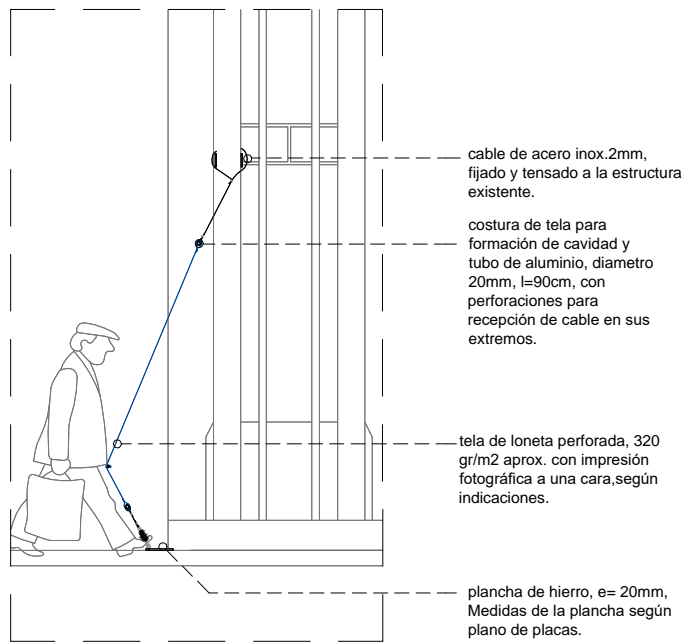
Placas para Diamante (introducción)



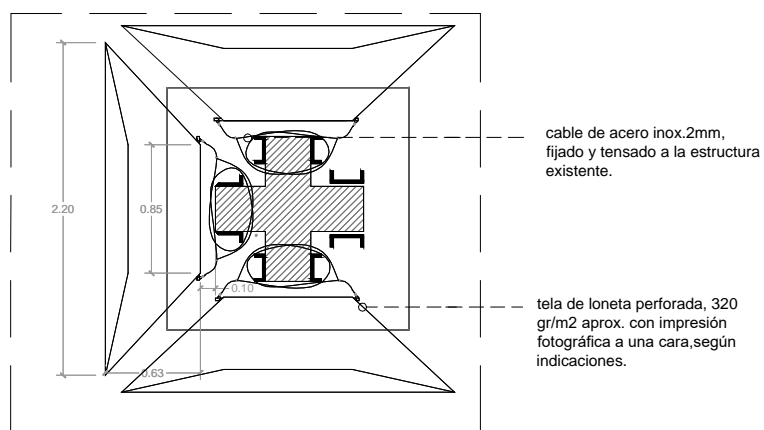
Sección de diamante e: 1/50



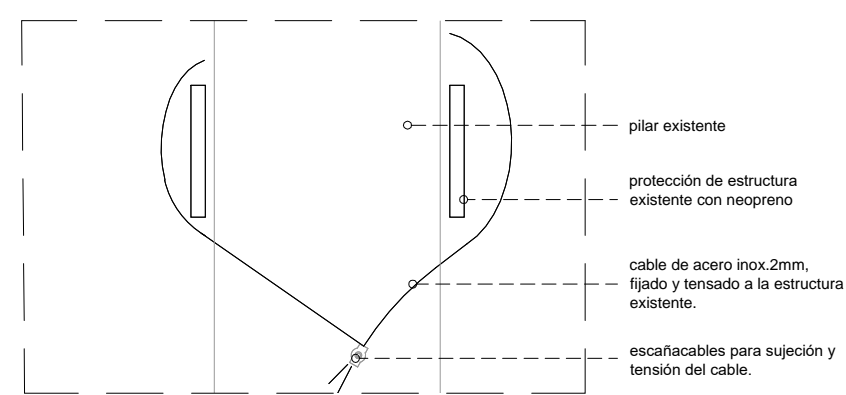
Sección de diamante e: 1/50



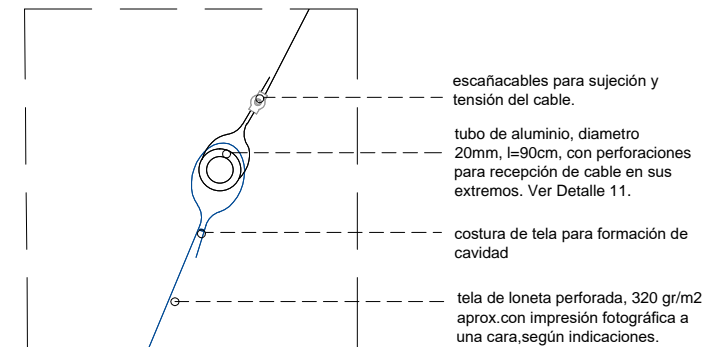
Planta de diamante e: 1/50



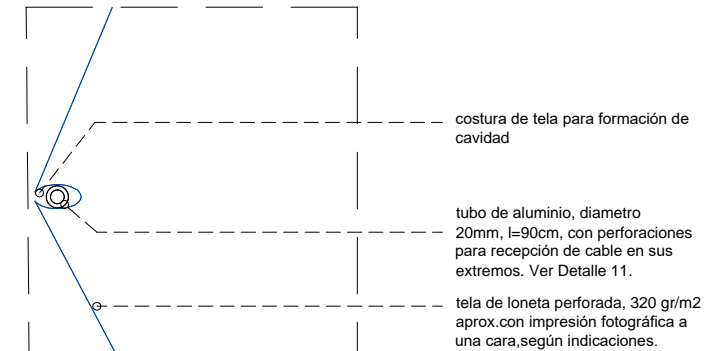
Detalle D9  
Atado de diamante a pilar existente



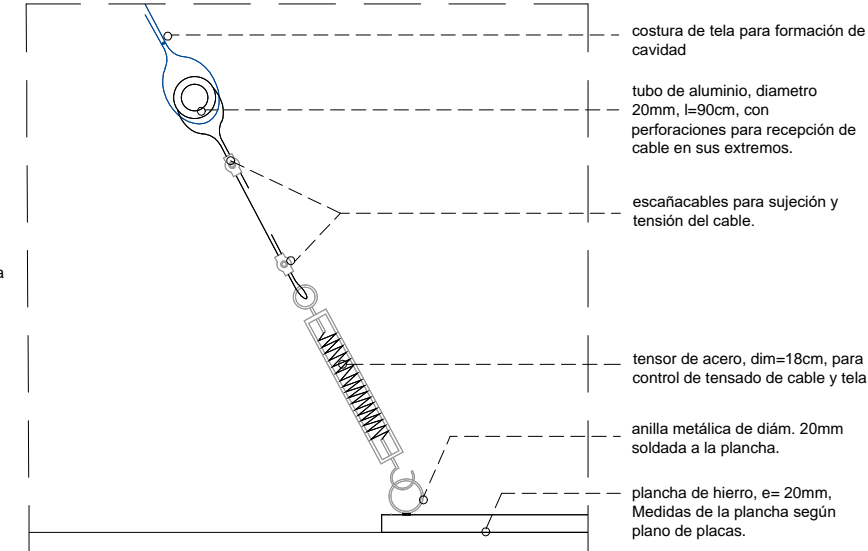
Detalle D10  
Unión de cable con tela diamante e: 1/5



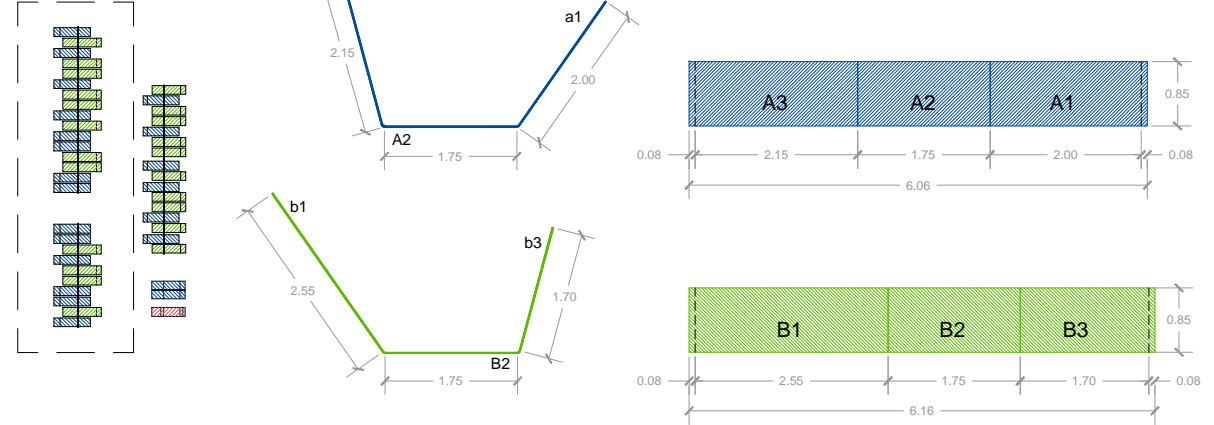
Detalle D11  
Costura de tela a tubo de aluminio e: 1/5



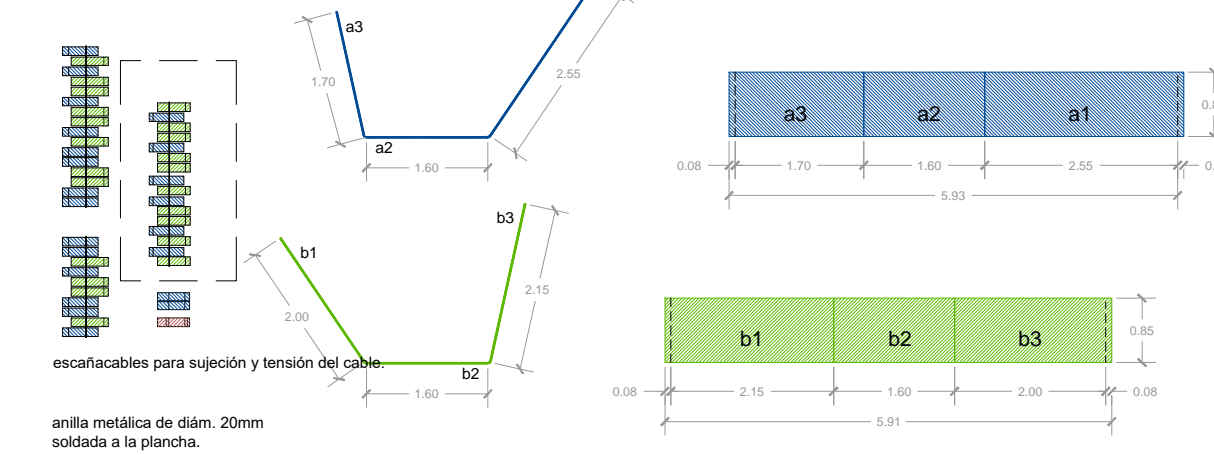
Detalle D12  
Anclaje de cable a placa e: 1/5



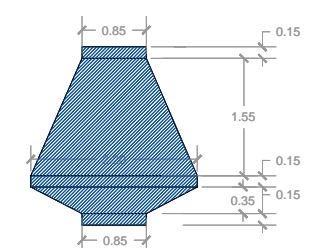
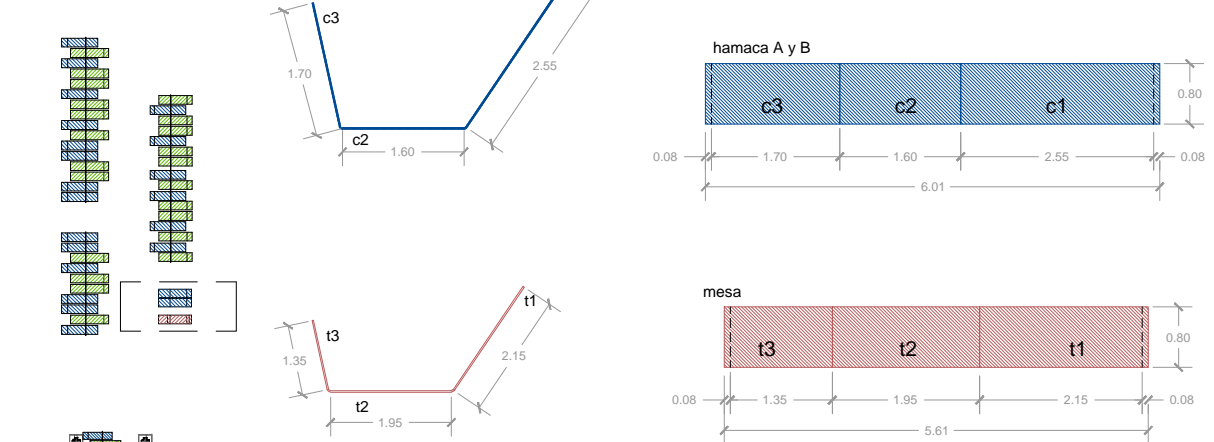
Telas desplegadas  
hamacas de la 1 a la 26



Telas desplegadas  
hamacas de la 27 a la 42

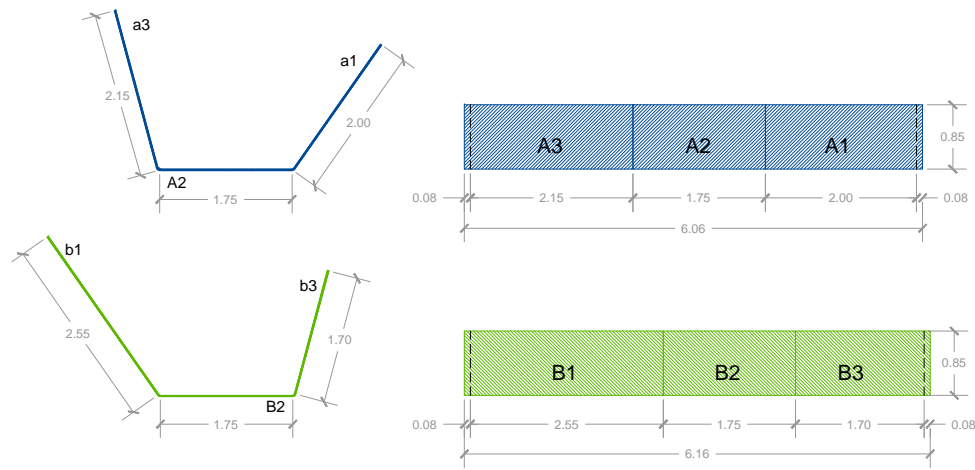


Telas desplegadas  
hamacas A,B y mesa C





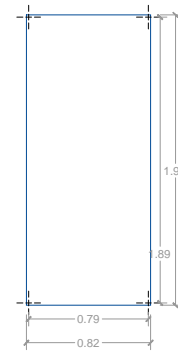
TELAS DESPLEGADAS (HAMACAS 1-26)



14 ud

12 ud

TELA SOPORTE LIBROS (HAMACAS 1-26)



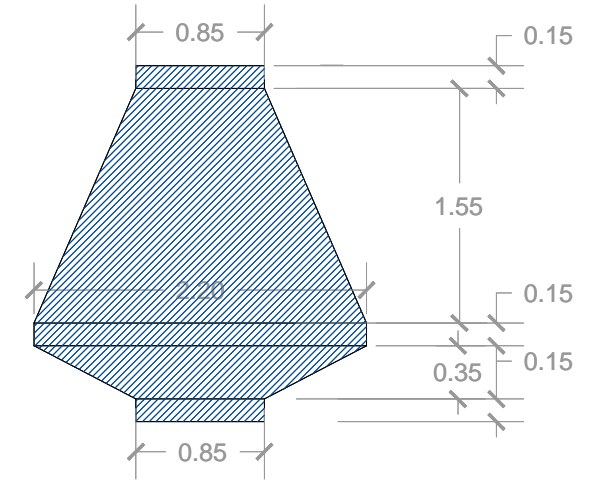
26 ud

TELA SOPORTE LIBROS (HAMACAS 27-42)



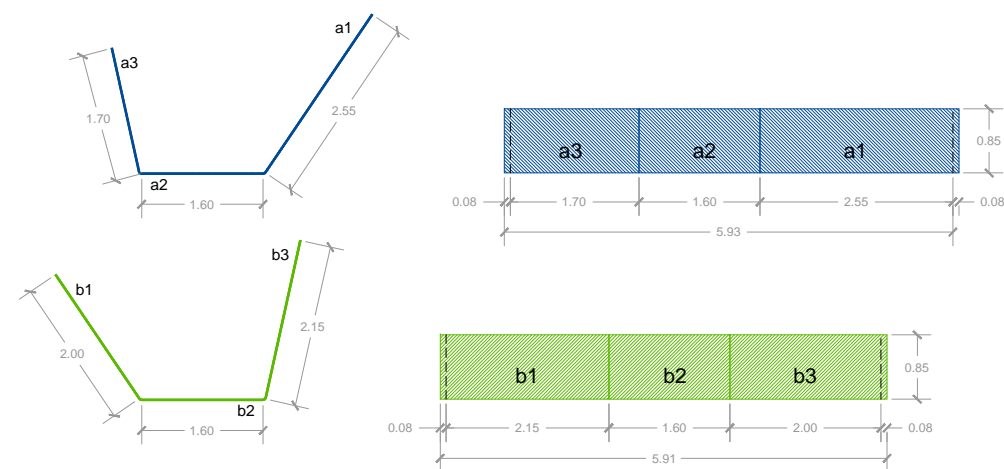
16 ud

H9 @ G'89GD @ ; 585 G'fB -5 A5 BH9 -BHFC81 77 -6 B L



3 ud

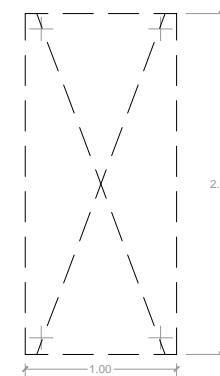
TELAS DESPLEGADAS (HAMACAS 27- 42)



7 ud

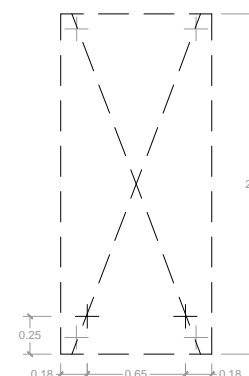
9 ud

D @ 75 G'A9H @ 7 5 G'9B'G I 9 @ C' f k 5 A575 G' A & L



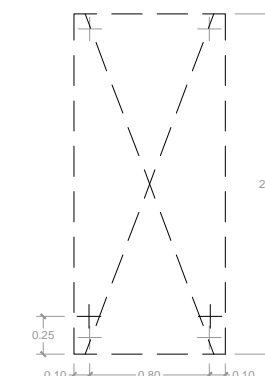
PLACA TIPO (225)

18 ud



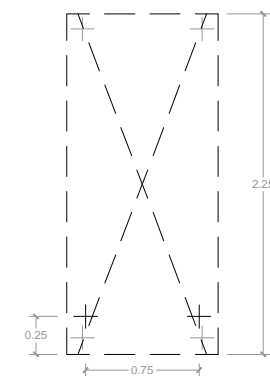
PLACA TIPO ORIGINALES (225):  
12, 13, 17, 22, 26

5 ud



PLACA ANCLAJE ORIGINALES 80 (225):  
10

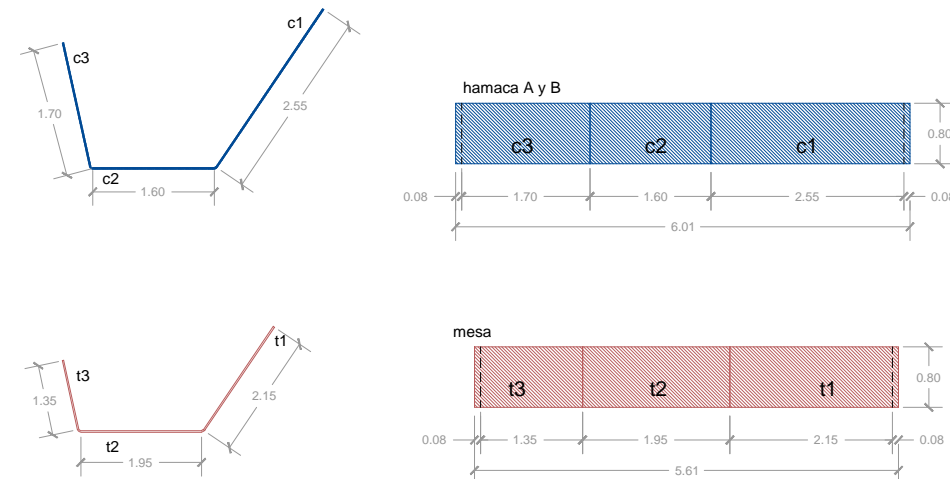
1 ud



PLACA ANCLAJE ORIGINALES 75 (225):  
16, 19

2 ud

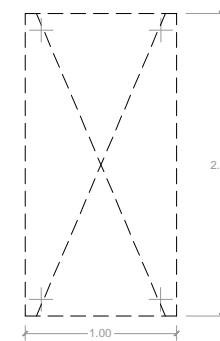
TELAS DESPLEGADAS (HAMACAS A, B, C)



2 ud

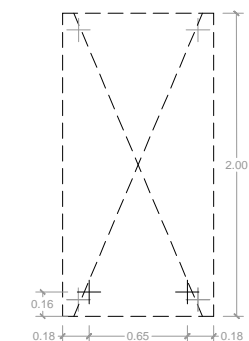
1 ud

D @ 75 G'A9H @ 7 5 G'9B'G I 9 @ C' f k 5 A575 G' A & L ( & Z 5 6 Z 7 L



PLACA TIPO (200)

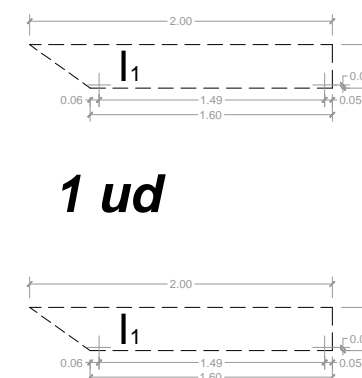
13 ud



PLACA TIPO ORIGINALES (200):  
33, 34, 35, 38, 39, 40

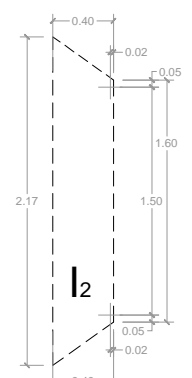
6 ud

D @ 75 G'A9H @ 7 5 G'9B'G I 9 @ C' f B -5 A5 BH9 L



1 ud

1 ud



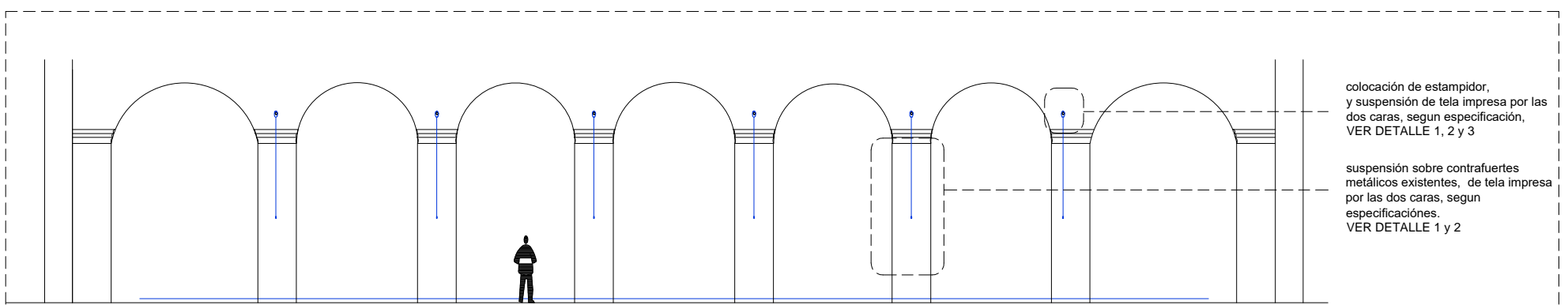
1 ud

**ANNEX I-E**  
**PRESENTACIÓ DE L'EXPOSICIÓ VET AQUÍ UNA VEGADA... / C'ERA UNA VOLTA**  
**AL CLAUSTRE DE L'ARCHIGINNASIO**



**ANNEX I-F**  
**PROJECTE EXECUTIU DE L'EXPOSICIÓ *VET AQUÍ UNA VEGADA...* / C'ERA UNA**  
**VOLTA AL CLAUSTRE DE L'ARCHIGINNASIO**

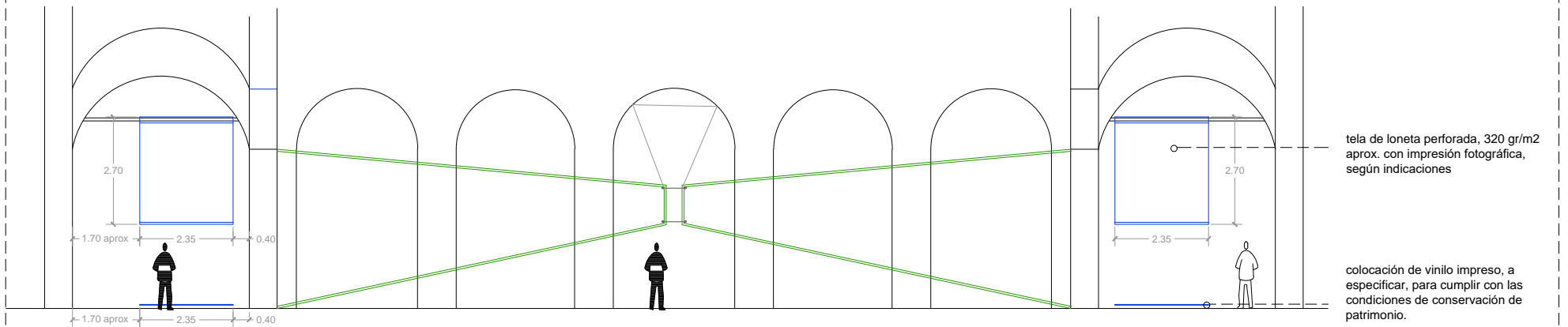




colocación de estampador, y suspensión de tela impresa por las dos caras, según especificación, VER DETALLE 1, 2 y 3

suspensión sobre contrafuertes metálicos existentes, de tela impresa por las dos caras, según especificaciones. VER DETALLE 1 y 2

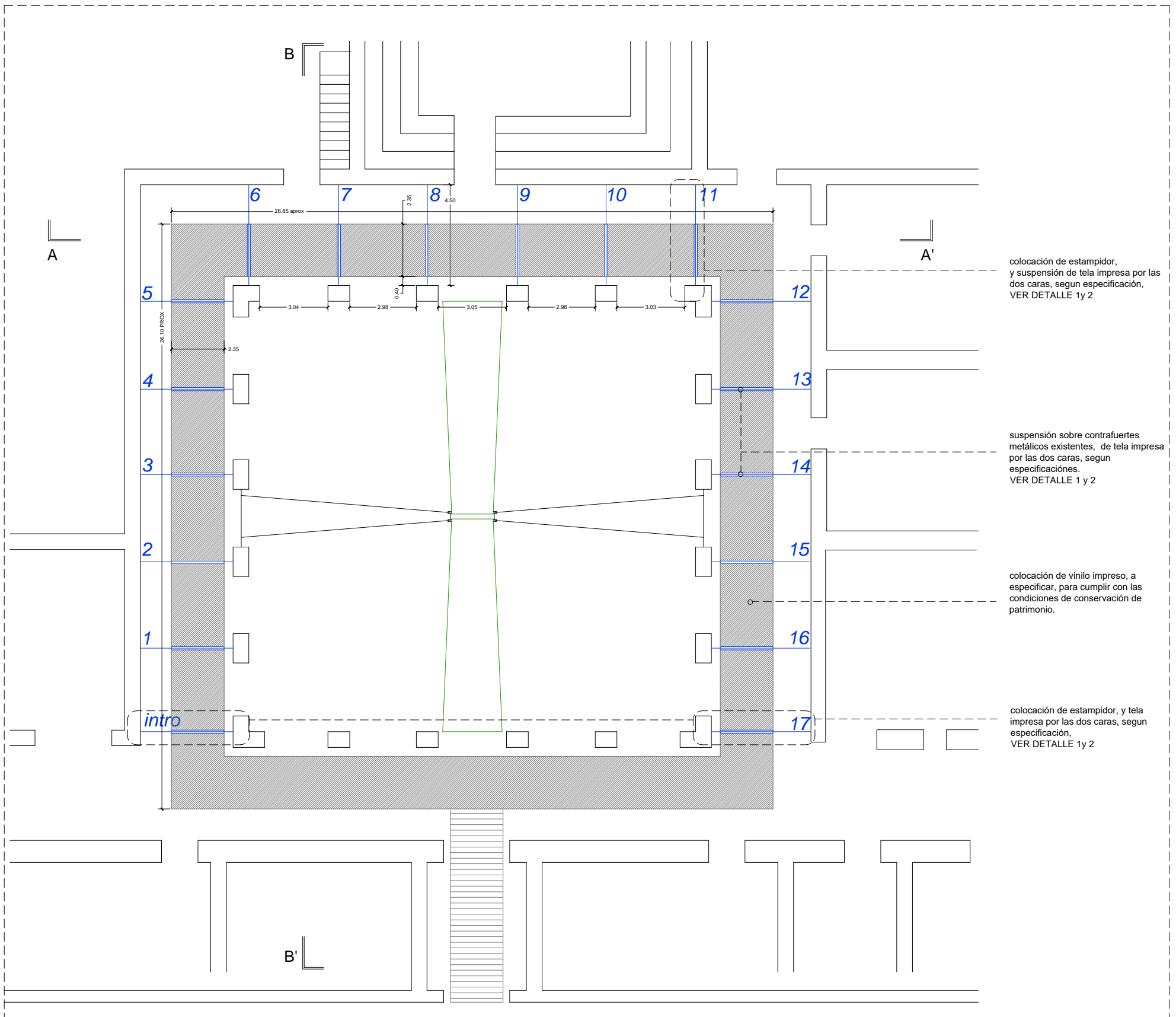
SECCION AA e 1:100



tela de loneta perforada, 320 gr/m2 aprox. con impresión fotográfica, según indicaciones

colocación de vinilo impreso, a especificar, para cumplir con las condiciones de conservación de patrimonio.

SECCION BB e 1:100



colocación de estampador, y suspensión de tela impresa por las dos caras, según especificación, VER DETALLE 1 y 2

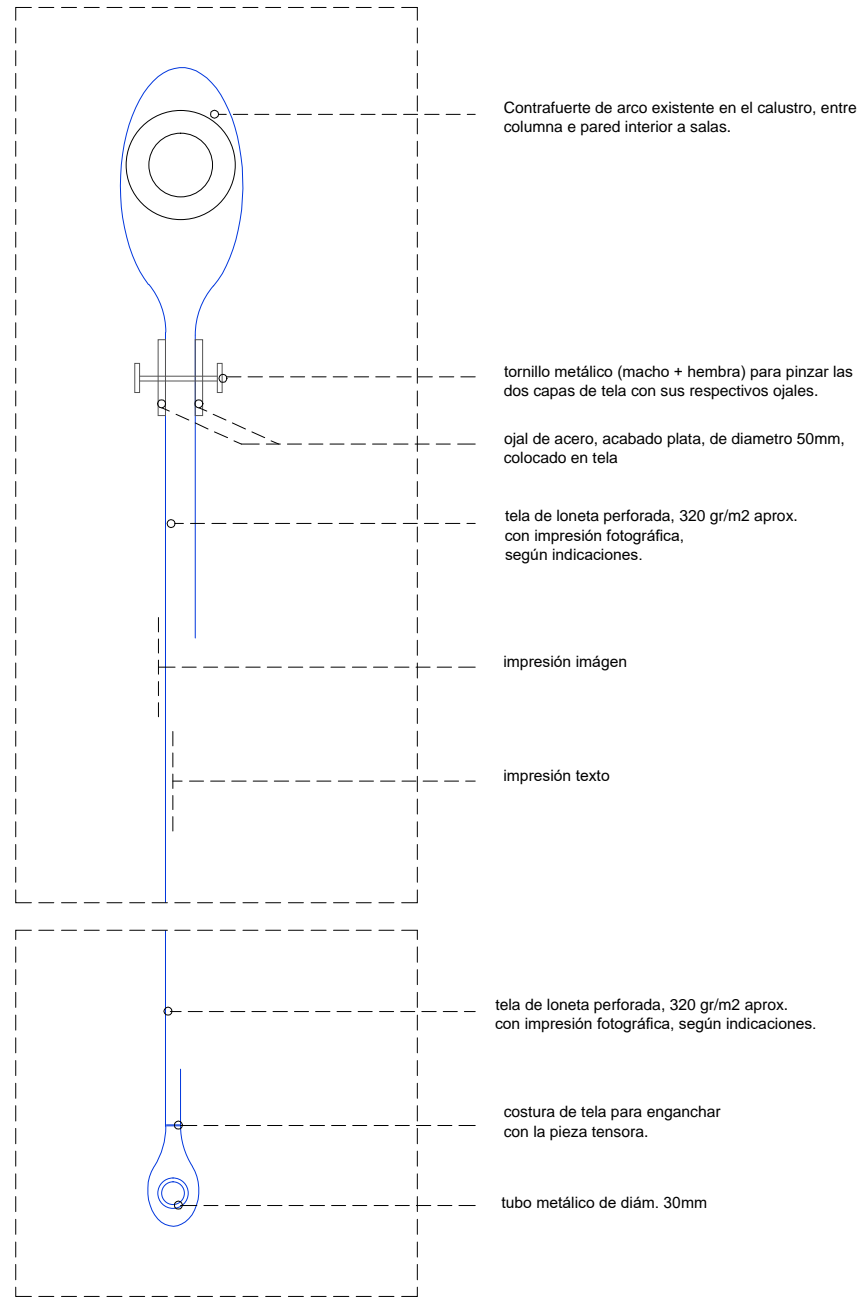
suspensión sobre contrafuertes metálicos existentes, de tela impresa por las dos caras, según especificaciones. VER DETALLE 1 y 2

colocación de vinilo impreso, a especificar, para cumplir con las condiciones de conservación de patrimonio.

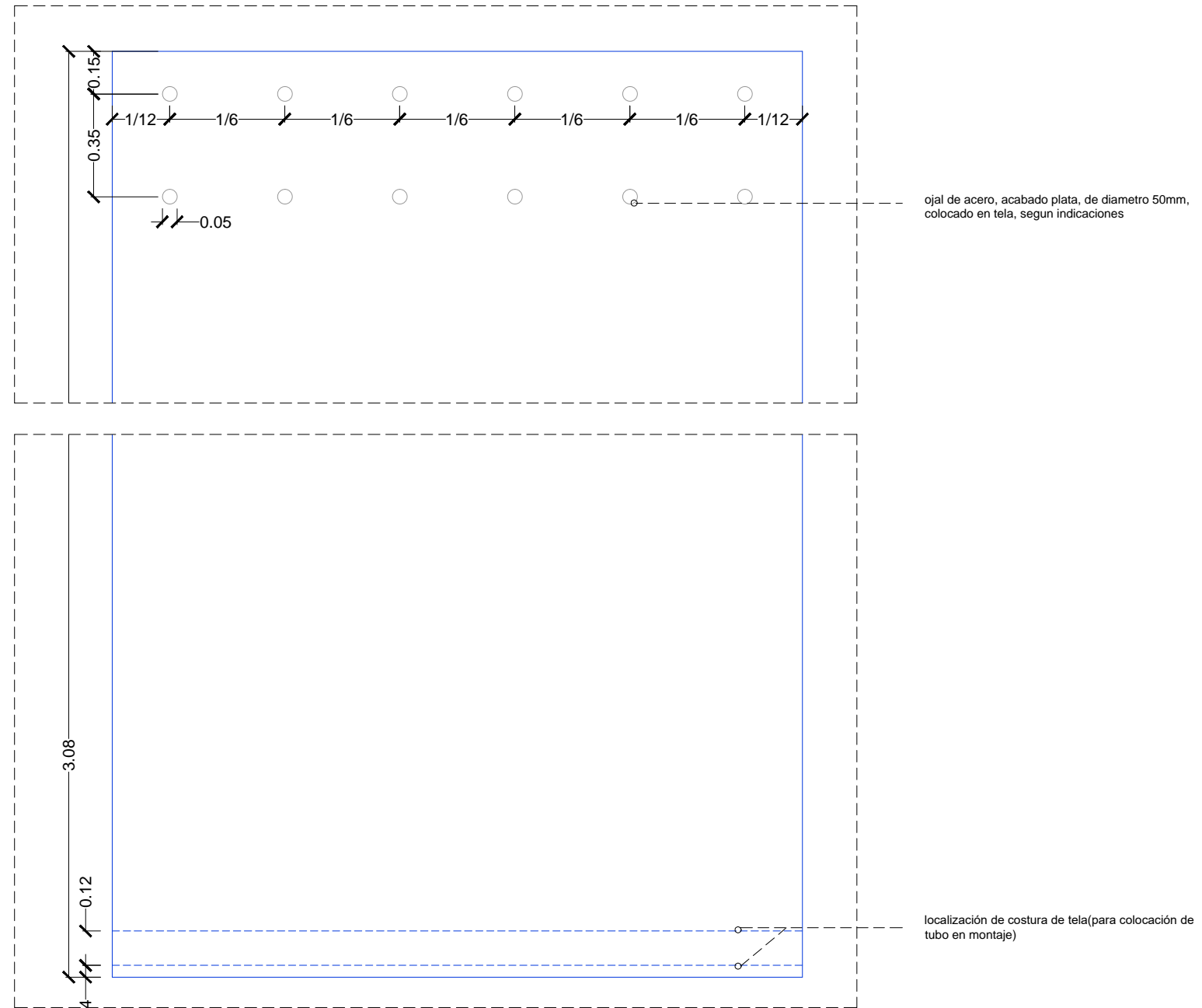
colocación de estampador, y tela impresa por las dos caras, según especificación, VER DETALLE 1 y 2

PLANTA CLAUSTRO e 1:150

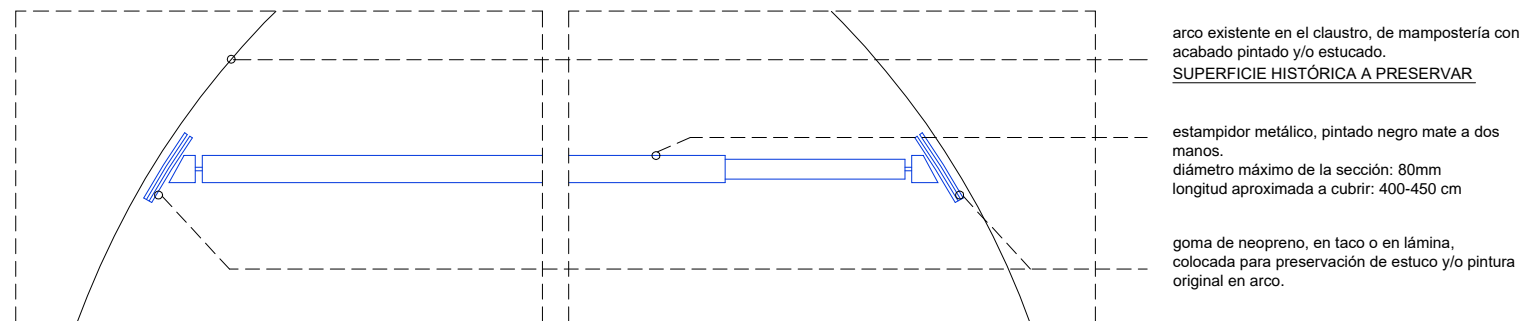
Detalle1. e. 1/5  
Detalle sección de tela suspendida

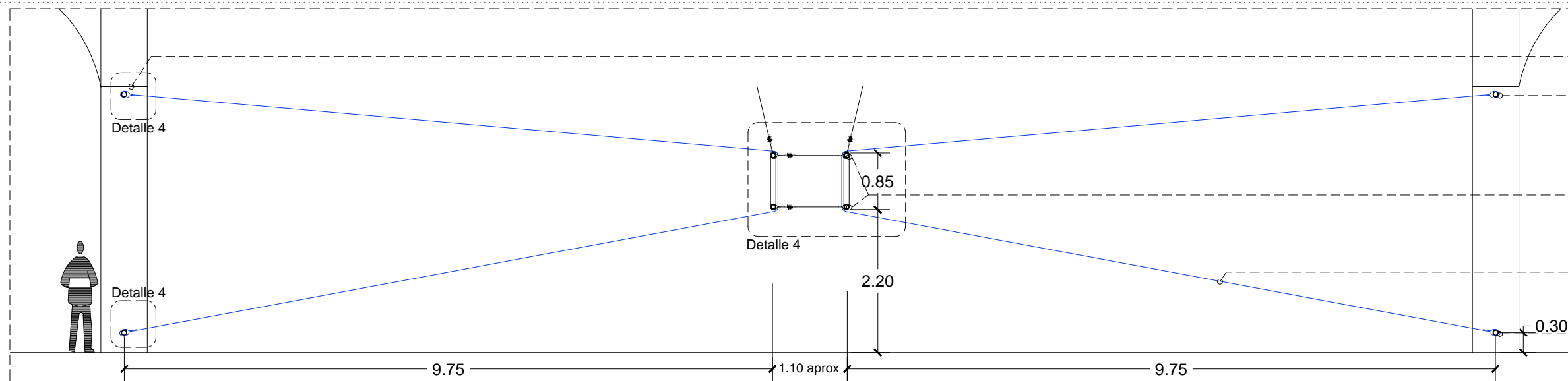


Detalle 2. e. 1/20  
Alzado de tela a suspender, desdoblada



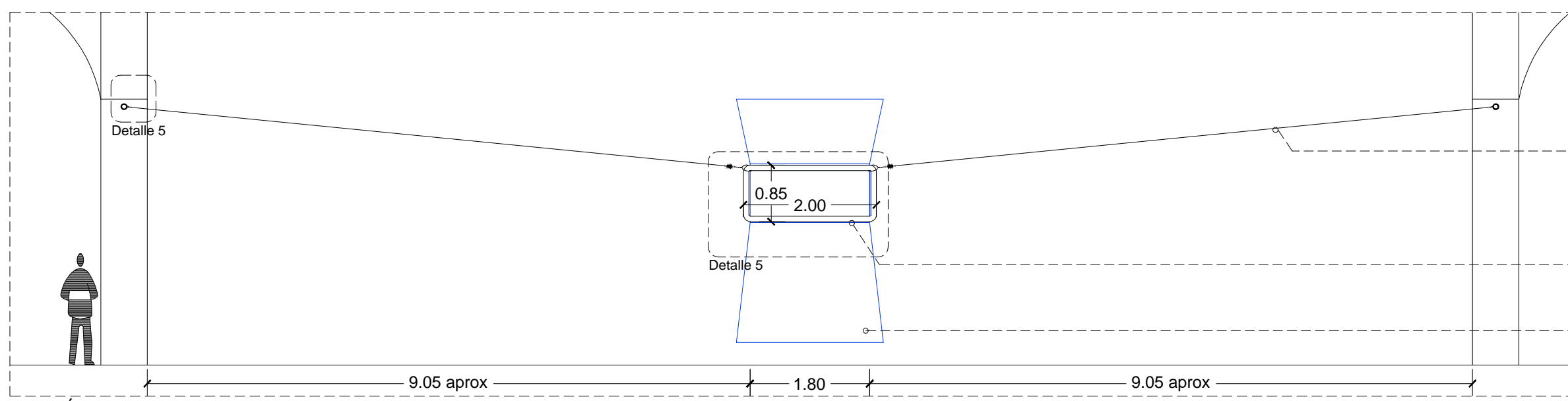
Detalle 3. e. 1/20  
Detalle de fijación de barras en arcos sin tirante existente





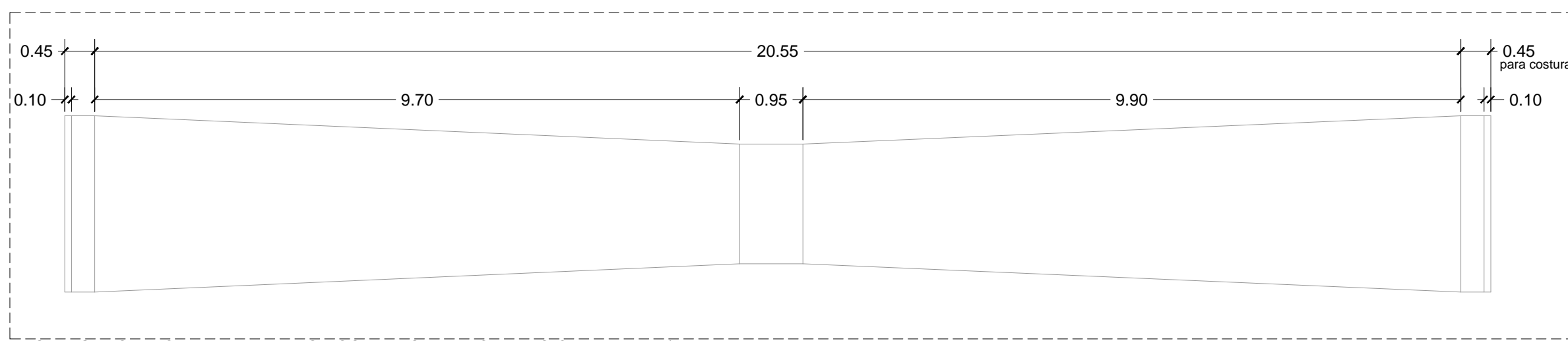
SECCIÓN AA' CUERPO CENTRAL. e 1/75

- arranque de arco existente
- estampidor metálico, pintado negro mate a dos manos. diámetro máximo de la sección: 80mm longitud aproximada a cubrir: 400-450 cm
- tubo metálico soldado formando una anilla, de diám. 80mm. Tubo con dos perforaciones a ambos lados de cada tela, para su fijación a través de cableado (entre telas, y a estampidor en perpendicular)
- tela continua de loneta perforada, 320 gr/m2 aprox. con impresión fotográfica, según indicaciones.
- estampidor metálico, pintado negro mate a dos manos. diámetro máximo de la sección: 80mm longitud aproximada a cubrir: 400-450 cm

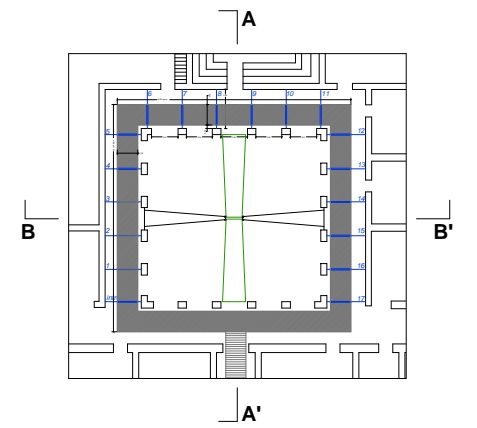


SECCIÓN BB' CUERPO CENTRAL. e 1/75

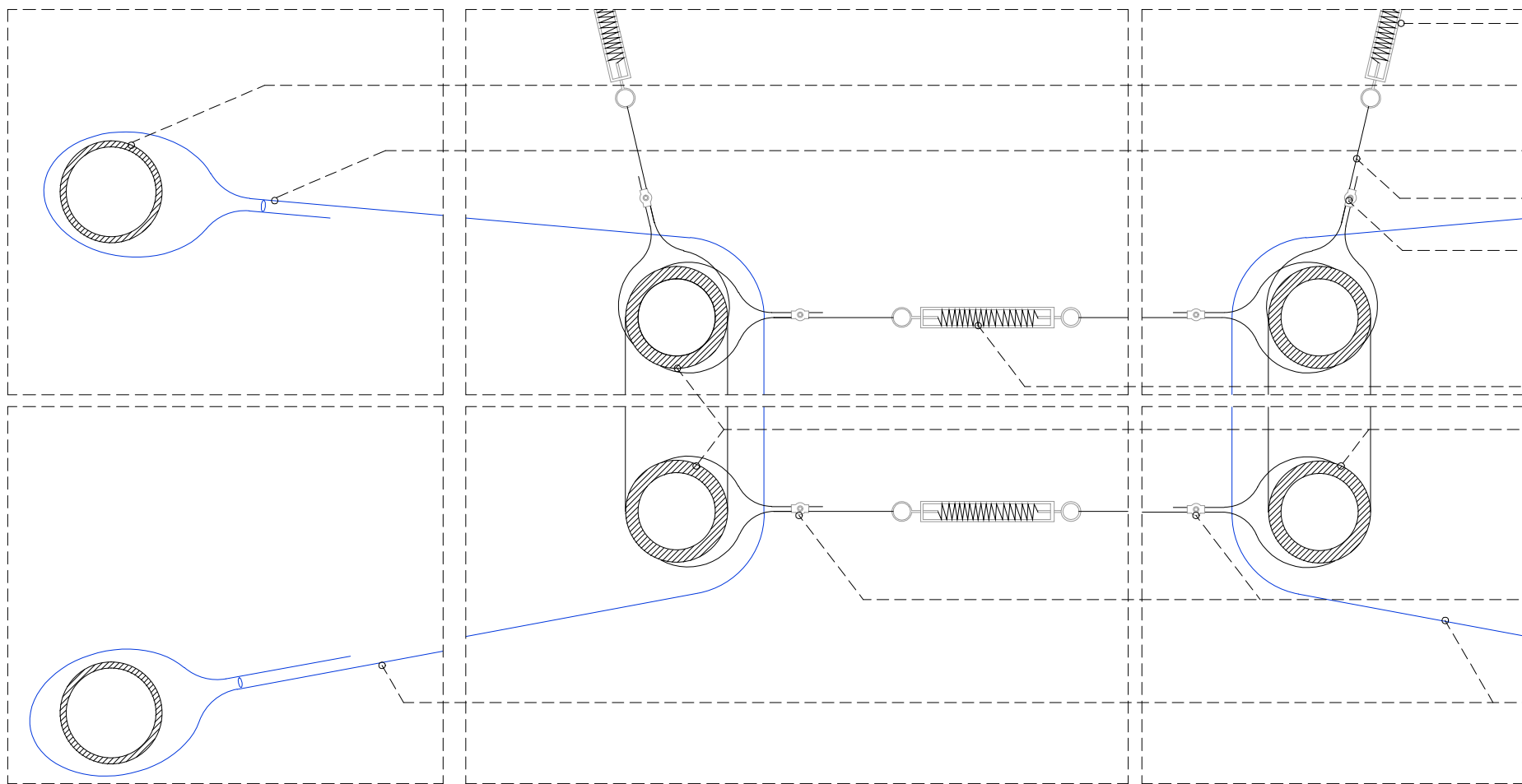
- cable de acero inox.2mm, fijado y tensado a estampidor y anilla tubular que sujeta cables
- tubo metálico soldado formando una anilla, de diám. 80mm. Tubo con dos perforaciones a ambos lados de cada tela, para su fijación a través de cableado (entre telas, y a estampidor en perpendicular)
- tela continua de loneta perforada, 320 gr/m2 aprox. con impresión fotográfica, según indicaciones.



DESPLÉGADO DE CADA UNA DE LAS DOS TELAS PARA CUERPO CENTRAL e 1/75

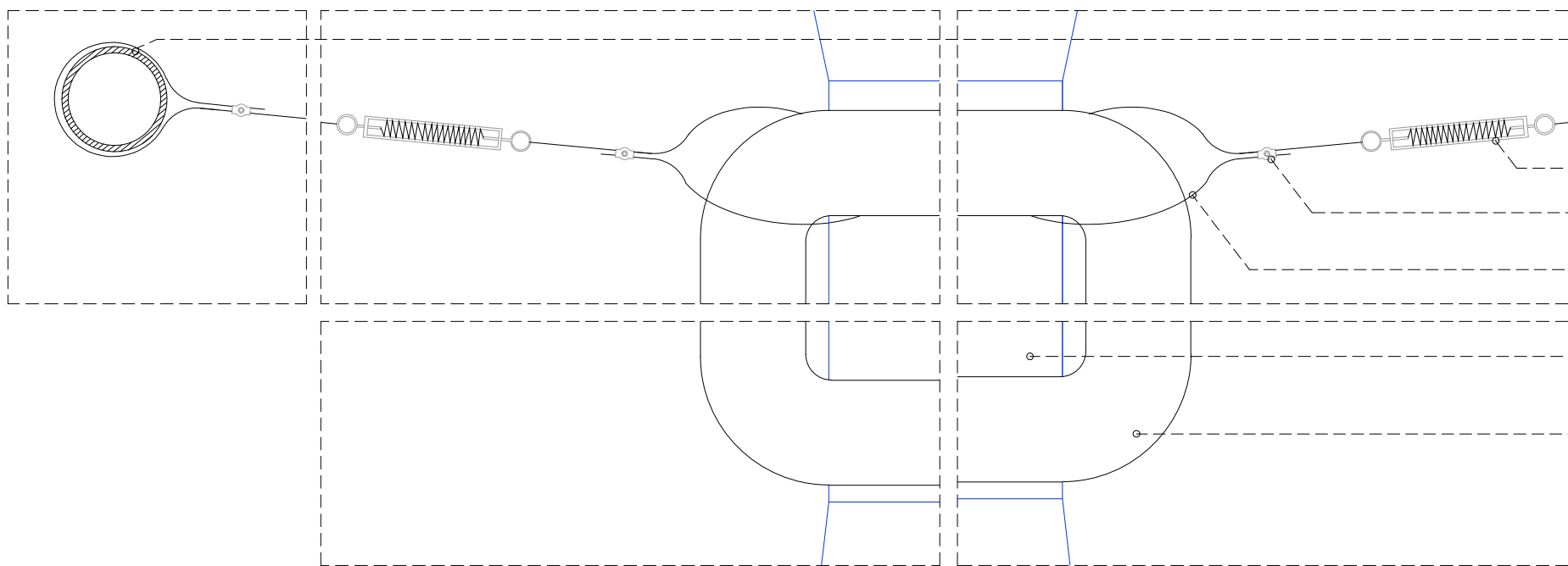


Detalle 4. e 1/5 \_ Detalle sección de cuerpo central\_tela



- tensor de acero, dim=18cm, para control de tensado de cable y tela
- estampidor metálico, pintado negro mate a dos manos. diámetro máximo de la sección: 80mm longitud aproximada a cubrir: 400-450 cm
- costura de tela para enganchar con la pieza tensora.
- cable de acero inox.2mm, fijado y tensado a la estructura tipo Truss
- escañacables para sujeción y tensión del cable.
- tensor de acero, dim=18cm, para control de tensado de cable y tela
- tubo metálico soldado formando una anilla, de diám. 80mm. Tubo con dos perforaciones a ambos lados de cada tela, para su fijación a través de cableado (entre telas, y a estampidor en perpendicular)
- escañacables para sujeción y tensión del cable.
- tela de loneta perforada, 320 gr/m2 aprox. con impresión fotográfica, según indicaciones.

Detalle 5. e 1/5 \_ Detalle sección de cuerpo central\_tensor lateral



- estampidor metálico, pintado negro mate a dos manos. diámetro máximo de la sección: 80mm longitud aproximada a cubrir: 400-450 cm
- tensor de acero, 18cm aprox, para control de tensado de cable y tela
- escañacables para sujeción y tensión del cable.
- cable de acero inox.2mm, fijado y tensado a la estructura tipo Truss
- tela de loneta perforada, 320 gr/m2 aprox. con impresión fotográfica, según indicaciones.
- tubo metálico soldado formando una anilla, de diám. 80mm. Tubo con dos perforaciones a ambos lados de cada tela, para su fijación a través de cableado (entre telas, y a estampidor en perpendicular)

**ANNEX I-G**  
**CONDICIONS FIRA DE BOLONYA**

## EXHIBITION TECHNICAL REGULATIONS

### PRELIMINARY NOTE

In this text the term “BolognaFiere” will be used to signify “Fiere Internazionali di Bologna Spa”.

### 1) GENERAL REGULATIONS GOVERNING THE 2017 BOLOGNA CHILDREN’S BOOK FAIR

#### 1.A - Dates, time and venue of the Exhibition

The Exhibition will be held from 3 to 6 April 2017 in the Bologna Exhibition Centre at the following times:

From Monday to Wednesday 9.00 a.m. to 6.30 p.m.;  
Thursday 9.00 a.m. to 3.00 p.m. (Halls 31 and 32 closed)

Exhibitors and employees may go to the stands every day from 8.00 a.m.

#### 1.B - Availability of stands: Hand-over

The stands will be made available to Exhibitors as of 31 March (unfurnished areas) and 2 April (furnished areas), and must be completed on the day prior to the opening of the Exhibition.

Exhibitors must ensure that the chosen stand fitter undertakes to meet this deadline by including a completion time clause in the contract.

#### 1.C - Access to the Exhibition Centre during the stand furnishing period

**Exhibitors may enter the Bologna Trade Fair Centre only if their personal data has been registered on the Reserved Area.**

Each exhibitor will receive, at the e-mail address provided on the trade fair application form, the Id and password to access the exhibitors reserved area, on:

**[www.bolognachildrenbookfair.com](http://www.bolognachildrenbookfair.com)**, where will be a direct link to **[www.gate.bolognafiere.it](http://www.gate.bolognafiere.it)** .

On the Gate restricted area each Exhibitor must enter the required details on staff and vehicles to print entrance passes that are strictly required to gain admission to the Trade Fair Centre during the stand set-up and removal stages.

The Exhibitor shall then proceed to Appoint and Authorise any and all stand-fitters and suppliers; thanks to the Appoint and Authorise procedure, the exhibitor will be able to provide said companies a password that will let them register their staff and vehicles in their restricted area and follow the printing procedure of entrance documents.

**Exhibitors and stand-fitters and suppliers that won’t be registered on [www.gate.bolognafiere.it](http://www.gate.bolognafiere.it) and won’t proceed with the printing of the required entrance documents, won’t be allowed to access to the Trade Fair Centre during the stand set-up and removal stages.**

**Stand-fitters and suppliers that will enter the Trade Fair Center to deliver materials**

**commissioned by the Exhibitor, will also be in possession of a specific Transport waybill showing following Exhibitor data: Company Name, Hall, Booth Number. Stand-fitters and suppliers devoid of such data will not have access to the Trade Fair Center.**

According to the laws in force, it is the responsibility of the Exhibitor (customer) to ensure that the contracting companies that will be working in the Trade Fair Centre possess the required technical and professional qualifications.

During the stand furnishing period persons and vehicles may enter the Exhibition Centre at the following times:

Friday 31 March: 8.00 a.m. - 7.00 p.m. (unfurnished areas)

Saturday 1 April: 8.00 a.m. - 7.00 p.m. (unfurnished areas)

Sunday 2 April: 8.00 a.m. - 7.00 p.m. (furnished areas)

However, upon request made to the Exhibition Office, stand furnishers will be allowed to continue their work.

Access in the halls of transport and lifting vehicles is prohibited: only exceptions allowed are electrically powered forklifts trucks (prior authorization and delivery of the documentation to Sales Office [Vendite@bolognafiere.it](mailto:Vendite@bolognafiere.it)) and expressly authorized vehicles by BolognaFiere and \ or by personnel of control operating in the halls.

Moreover is forbidden access to lifts serving the Halls: 15, 18, 20 and 34; access to any NOT ELECTRIC forklift and any other means of internal combustion.

Waiting in the vicinity of the exhibition halls must be limited to the time strictly required to load and unload goods and equipment.

Specifically, it is forbidden to unload and park containers or detachable parts of non self-propelled vehicles.

For the purpose of compliance with work safety norms, BolognaFiere can establish special criteria for access to the Trade Fair Centre during the work of furnishing stands as well as limit vehicle access and/or set fines to apply to vehicles parked out of place and/or remaining beyond the time set by BolognaFiere.

In particular, for a motor vehicle or any vehicle in general remaining in the Trade Fair Centre for more than two hours, the Exhibitor will be fined the sum of € 500,00 levied through the password used to accredit the vehicle.

For safety reasons, Exhibitors and the fitters working on their behalf are prohibited from using their own lift trucks, mobile cranes, aerial platforms, etc. in the Exhibition Centre. For these needs, they must contact BolognaFiere's Official Forwarders to ensure strict compliance with safety regulations. The above rules do not apply to transport vehicles equipped with an on-board crane arm, which may be used in the Halls only if they are fit with tubes to discharge motor exhaust outside the Halls.

In special cases, exceptions (adequately grounded) may be requested from the BolognaFiere Operations Division, subject to delivery of the certificate of suitability for the vehicle to be used and of the Operator. In case of authorization, the requesting party will be charged an amount

to cover administrative and control costs for management of such authorizations (for more information, please contact the Operations Division).

For terms and conditions, see the form "Authorization request for the use of lifting equipment," to be signed when the authorization is issued.

If any lifting equipment is brought in and used without prior authorization, BolognaFiere will immediately stop the equipment and order it removed from the Exhibition Centre.

#### **1.D - Removal of exhibition material and stand equipment. Handing back of stands**

Stand equipment and samples may be removed from the Exhibition Centre at the following times:

Thursday 6 April: 3.00 p.m. - 7.00 p.m. (samples removal only using hand-pulled trolleys)

Friday 7 April: 8.00 a.m. - 7.00 p.m.

Vehicle access to the outdoor areas and halls will be governed by the provisions covering stand furnishing. (see art. 1.C).

No material will be allowed to leave the Exhibition Centre from 3.00 to 4.00 p.m. on 6 April.

Stand clearance must be completed by 7.00 p.m. on 7 April.

In default the stands will be dismantled by the organizers and goods left in the stand will be considered as waists and sent to public discharges, and the Exhibitor shall be required to reimburse all expenses connected with dismantling plus a penalty of € 300,00, with the exception of further reimbursements for major damages.

The Exhibitor shall be solely liable for any damage or theft that may occur both before, during and after the exhibition.

#### **1. E - Entrance passes for Exhibitors and parking stickers for cars**

Exhibitors, using the same password for the Reserved Area, will be able to download entry passes in the following quantities:

no. 1 stand 6 passes

no. 2 stands 8 passes

no. 3 stands 10 passes

More than 3 stands 12 passes

Exhibitors will also be given two car parking stickers, irrespective of the size of the stand, entitling them to park in the space designated by BolognaFiere, subject to availability.

The Exhibitor shall be responsible for the correct use of these documents and the behaviour of those who use them.



## **1. F - Catalogue**

The catalogue will contain the information provided by the Exhibitors up to 45 days prior to the start of the Exhibition and, with regard to the name and the product sector, the data supplied on the application form will be deemed valid.

### **1.G - Hotel reservation service**

A hotel reservation service is provided by BolognaCongressi – Convention & Travel, Piazza Costituzione 5/E, 40128 Bologna, Tel. +39 051 6375111, Fax +39 051 6375149, which Exhibitors may apply to direct through the website [www.bolognachildrensbokfair.com](http://www.bolognachildrensbokfair.com). Conditions, rates and relevant form will be available.

This service is regulated but not organized by BolognaFiere, which hereby disclaims all liability in connection therewith. Any claims should be addressed in writing directly to BolognaCongressi – Convention & Travel, and a copy should be sent to BolognaFiere for their information.

### **1. H - Sound broadcasts, payment of royalties**

Exhibitors are not generally allowed to broadcast music or to use music and sound reproduction equipment. Any exceptions may be authorized in writing. Such authorization may be withdrawn at any time with immediate effect by means of written notice. Authorization does not release the Exhibitor from the obligation to use the equipment in such a way as not to disturb other exhibitors and visitors, nor does it relieve him of the obligation to abide, at his own expense, by prevailing copyright law.

In order to fulfil the required formalities, parties interested may apply directly to S.I.A.E. Via Orfeo 33/a, 40124 Bologna, Tel. +39 051 429 0311 – Fax +39 051 307 280.

For the convenience of Exhibitors, a S.I.A.E. appointed, owing his personal SIAE badge will visit the exhibiting stands and, in that occasion, it will be possible to define and settle exhibitors' demands.

## **2) TERMS OF PAYMENT**

Payment of the fees due for participation in the Exhibition shall be made within the times and in the manner set down on the application form. Although the "exit voucher" may not be issued to Exhibitors who have not settled all their dues either directly or indirectly, it does not constitute a receipt of payment of the sums due for participation in the Exhibition and shall be valid only for the vehicle specified thereon.

## **3) INSURANCE – EXEMPTIONS AND RESTRICTION OF RESPONSABILITIES**

During the hall opening times the Exhibitor shall watch over his own stand either directly or by means of his personnel. Although BolognaFiere Spa provides a general day and night security service inside the Exhibition Centre when the Centre is closed to the public and

exhibitors for the entire duration of the Exhibition and during the stand installation and dismantling periods, it is hereby released from any and all responsibility in respect of theft and/or damage that may be sustained by the Exhibitor.

The Exhibitor shall also be responsible to BolognaFiere Spa for all direct and consequential damage which for any reason is attributable to him or to the personnel working for him (including damage caused by the furnishings or by the systems set up either by the Exhibitor or by third parties hired to do so, even if they have been inspected by BolognaFiere Spa).

Compensation for damages deriving from such theft or damage as may be sustained by the Exhibitor, even outside the hall opening hours (including all the days set aside for stand installation and removal) shall be made solely by means of adequate insurance policies.

The Exhibitor shall benefit from the following insurance policies taken out by BolognaFiere:

a) All Risks cover (including fire and theft) against direct and material damage to stand fittings, furnishings, equipment and goods in the stand, excluding cash, items of value, other valuables and similar and excluding software installed on computers and excluding damages from non-use of stand fittings, furnishings, equipment and goods during the exhibition: € 40,000.00 full first loss (including fire and theft) cover with full excess of € 300.00 for each item of damage, increased to € 600.00 for damages occurring after the end of the exhibition.

b) Third Party Liability cover, comprising the damages from fire: single limit € 50,000,000.00;

c) Third Party Liability cover for employees: limit € 3,000,000.00 per claim with limit of € 2,000,000.00 per person.

d) the Insurance Company shall waive all claims towards Exhibitors and BolognaFiere.

The aforesaid insurance covers are governed by the conditions and limitations which the Exhibitor may request from the Show Office and which are available online on our website in the exhibitors section – services for exhibitors.

These insurance policies do not release the Exhibitor from liability in respect of all risks which, according to the independent assessment of the Exhibitor, are not covered or exceed the limits of cover as set out above. The Exhibitor shall take out such supplementary cover as he deems appropriate.

In particular, given the existence of a video surveillance system, in case of theft, a report must be presented to the Public Authorities and forwarded to the Insurance Company within seven days of the end of the exhibition. Failure to meet this deadline may result in forfeiture of the right to compensation.

The Insurance Company will also handle claims and settlements at the end of the exhibition.

In any case, the Exhibitor undertakes to include in the supplementary insurance cover a clause in which the Insurance Company waives all recourse to action against the Exhibitors and BolognaFiere, and in default he shall indemnify them from any action that may be brought against them.

Having taken note of the above, the Exhibitor (on his own account and that of his agents, employees or assistants) in any case expressly relieves BolognaFiere from any liability for loss or damage which for any reason should occur in the exhibition area assigned to him, during the exhibition or during installation or dismantling, and in respect of anything located therein, and accepts liability for any damage caused to third parties by the management of the

exhibition space or by anything introduced therein and which is not covered in the terms or manner indicated above or by additional insurance cover taken out by the Exhibitor himself.

BolognaFiere will accept no liability for consequential damages, damage to image, loss of revenues, etc. As regards direct damages, the Exhibitor accepts that the liability of BolognaFiere shall be limited to the insurance cover limits as stated above. The Exhibitor accepts these limits of liability.

#### **4) STAND FURNISHINGS AND PROHIBITIONS**

##### **4.A – Definition of type of stand set-up and approval procedure**

Stand set-up, regardless of surface area, is classified as follow:

- STANDARD set-up
- NON-STANDARD set-up

NON-STANDARD set-up entails even just one of the following features:

- “Truss structures” with clear structural span exceeding 8.00 metres or with total length exceeding 32.00 metres
- Horizontal metal or non-metal structures with clear span exceeding 4.50 metres
- Installation anchored to BolognaFiere structures
- Loft with space on upper level, even if not accessible to the public
- Platform over 0,80 m height

All structures set up in external areas with a covered surface area greater than 75 m<sup>2</sup> are to be considered non-standard furnishings

Because the Exhibition Centre has obtained authorisation for use of the exhibition spaces based on a traditional set-up scheme, i.e., with parameters defined as STANDARD, an Exhibitor who proposes a set-up with even one of the above-mentioned characteristics must, at least 20 days prior to the start of the official set-up period, transmit (by fax or certified email) the design for the off-standard set-up, with signature and seal of a qualified engineer/architect, to the Organiser and to BolognaFiere for approval.

If the Exhibitor is not in possession of the design for the off-standard set-up signed by a qualified engineer/architect, the Exhibitor may, using the appropriate form in the Miscellaneous Forms, request BolognaFiere to conduct an advance check of the design. If the signed and sealed design for the off-standard structure(s) is not transmitted to BolognaFiere, an inspection and validation will automatically be conducted and the Exhibitor will be charged twice the regular cost for such service specified on the above-mentioned forms.

A static test made only by BolognaFiere is compulsory to build up non standard assemblies. The exhibitor will pay for the test the amount indicated in form.

BolognaFiere reserves in any case the right not to grant permission for the set-up of non-standard stands that have not been approved in advance.

To build up "truss metal structures" (with total length over 32,00 m and/or free structure span over 8,00 m) or horizontal structures in metal or other materials with clearance greater than 4,50 m, as well as for loft with space on upper level and stands on intermediate floor, the Exhibitor must forward to BolognaFiere the relevant plan of the structure by fax or certified mail, signed and stamped by a qualified technician, with calculation report including the charge conditions of assembly and disassembly according to the expected building methods, as well as a certificate of correct assembly, on completion of the work, signed by a qualified engineer. If the Exhibitor is unable to present projects and documents stamped and signed by a qualified technician, it is necessary to ask BolognaFiere service consisting of the evaluation of project compatibility and of the following inspection.

In any case, BolognaFiere has ever the right to examine stand projects that fall outside conventional set-ups in terms of dimensions and potential danger.

The Exhibitor is required to provide the technical calculations and the names of engineers responsible for the structural part, for the set-ups, for aspects regarding health and safety at the workplace, and for the systems.

BolognaFiere may request the intervention of the Supervisory Committee for places of public entertainment.

#### **4.B - Stand furnishing**

The Exhibitor shall limit his display to the area allocated to him, as marked off by partition walls, painted lines or adhesive tape; on the front of the stands where there are no other reference elements, the display area shall not exceed the theoretical plane passing through the axis of the plates at the foot of the front pillars which support the side walls of the stands.

**Inside the halls the stands may not exceed a standard height of 2,50 m.** In order to take account of any added thickness due to raised floors, lighting elements and light supports, including lattice structures, **a maximum tolerance of a further 0,50 m** will be allowed, taking the above-specified limit to 3,00 m, on condition that the structures whose sides face adjoining stands are perfectly finished and painted in a neutral, solid colour.

The Exhibitor must keep inside the stand, in sight and ready to use, fire extinguishers in adequate quantity to the surface of the stand, as provided by BolognaFiere.

Glass walls in direct contact with the public must be stratified safety glass in accordance with applicable Laws and UNI standards.

Suspended piles and the related suspension systems, must be made in accordance with the directives from the Ministry of the Interior dated 01/04/2011 providing, in addition to the main connection system (belt, chain, auction...), also a **safety connection**.

For "suspended loads" we refer to truss structures (simple type or "ring" type) or other types

of beams or facilities and all related piles (monitors, projectors, lights, speakers and other sub-structures..)that are bound to a top or bottom structure or via a lifting element.

The listed items must be in accordance and in possession of all the documents included in the said above Ministry of the Interior Action.

In halls 25, 26 double ceilings are permitted only if they are made from grill-type or perforated panels to allow the proper use of the sprinkler fire-fighting system.

All liability for the stability of the furnishings and the compliance of the furnishing materials with the fire prevention regulations currently in force shall be solely for the Exhibitor's account, who expressly relieves BolognaFiere of liability for any damage that may result from design and construction defects, including the dimensioning as inferred from the detailed drawings of the areas occupied.

Any job that entails changes in the actual state of BolognaFiere's fixed and movable property (reinforcements, modifications, excavations, holes in fixtures, walls, structures and floor columns) may only be carried out with the prior authorisation of BolognaFiere Spa, and shall be done at the expense and under the responsibility of the participant. This responsibility shall remain the Exhibitor's for the entire duration of the Exhibition until the stand is handed back to BolognaFiere Spa. Prior to starting work the participant is required to make over to BolognaFiere Spa an amount equal to the cost required to restore the stand to its original state, which will be undertaken by BolognaFiere Spa.

#### **4.C – Waste management**

##### **Set-up and knock-down**

It is forbidden for Exhibitors and fitters, during the exhibition set-up and knock-down period, to abandon debris and/or wastes of any kind, in the exhibits and surrounding areas.

Waste and residue from set-up and knock-down works must be disposed of by Exhibitor and/or its employees, and hall aisles must be kept free of all waste and rubbish.

**Waste and residue from set up work is removed by and at the expense of the Exhibitor and /or its employees.**

BolognaFiere personnel, present in every hall during the Trade Fair Center opening times, will verify the respect of the rules for the management of waste and residue. All anomalies will be registered and reported to the pertaining internal authorities.

Exhibitors who do not abide by these rules will be required to reimburse BolognaFiere all direct and indirect costs incurred for removal (Euro 300 + VAT per each 16 m<sup>2</sup> ).

##### **Exhibition**

Waste produced during the exhibition must be delivered to the waste separation and recycling areas in the Exhibition Centre and separated by type (paper, glass, metal, plastic, and undifferentiated).

## 4.D Prohibitions

### It is specifically prohibited for Exhibitors to:

- apply loads to the structures of the halls, the walls, lighting pillars, etc.;
- attach to or suspend from the above-mentioned elements posters, cables, panels, banners, stickers;
- fix to the floor carpets or similar material using highly adhesive double-sided tape, tape with internal paper support or tape of weak consistency;
- damage the equipment belonging to BolognaFiere Spa and the structures of the halls;
- use your own lifting equipment unless otherwise specifically authorised by BolognaFiere ;
- \_ leave waste materials or waste of any kind
- stage or conduct any show or entertainment, of whatever kind, nature or characteristics, even if said show or entertainment is limited to the interior of the stand or designed for the presentation of products, without the prior consent of the Fair management;

The Exhibitor accepts sole civil and criminal liability for damage caused by the non-observance or breach of the rules in force and of all the requirements set out in these Regulations and in the Safety File; the Exhibitor shall also hold harmless BolognaFiere Spa in respect of any claims for compensation filed by third parties.

The Exhibitor shall notify his personnel and the firms operating on his behalf in the Exhibition Centre of the requirements and prohibitions as set out in these Regulations and in the Safety File, and also of the general rules of participation in the Exhibition.

In the event of non-observance of these rules and the relevant provisions set out in the Regulations regarding participation, BolognaFiere Spa may take action against any firm defaulting on the fire-prevention rules. Said action may entail, in the event that supplementary measures to the general safety rules are adopted, the charging of the relative costs, estimated at not less than 300,00/exhibition module, or an order requiring the partial or total disassembly of the stand and a declaration that the stand is unfit for use.

## 5) GENERAL SERVICES

### 5.A - Technical assistance available to Exhibitors

BolognaFiere Spa, through its Exhibition Office, will provide Exhibitors with comprehensive technical information on the general services available throughout the Centre. The services listed below may be requested from the Official Suppliers, through the platform e-commerce befair <http://befair.bolognafiery.it/en/index.do> “Purchase” and “Forms” sections, should Exhibitors not have their own equipment or if they do not intend to use their own personnel:

- Travel agency;
- Insurance company;
- Hardware
- Electrical installations;
- Water installations;
- Catering;
- Forwarding agent.

Please note the following:

The transport, loading and unloading of goods and porter age service inside the Exhibition Centre, is organised solely by BolognaFiere Spa Forwarding Agent.

Exhibitors wishing to bring goods of foreign origin into the Exhibition Centre to be displayed as samples shall inform BolognaFiere Spa to this effect by completing the relevant form or telling it to customs@marconiffm.it .

The following refreshment facilities are in operation in the Centre: à-la-carte restaurants, self-service outlets and, on request, cocktail breaks and the delivery of refreshments direct to the stand.

### **5.B - Responsibility for services**

BolognaFiere Spa regulates but does not organise the services listed in section 4.A and therefore disclaims any and all responsibility in respect of the performance thereof.

Claims should be made in writing direct to the service company and communicated to BolognaFiere S.p.A.

## **6) TECHNICAL SERVICES**

Subject to availability, BolognaFiere S.p.A. may provide, upon request, the individual stands with electricity, water, compressed air, as well as connection to the telephone network.

### **6.A - Utilities**

In connection with the following utilities:

- ELECTRICAL SYSTEMS
- WATER SYSTEMS
- TELEPHONE SERVICE AND INTERNET SERVICE

**Please note that the relevant connections** must be requested by means of the appropriate form, on which the conditions of supply, tariffs charged and the operational details are stated. Connection and disconnection to the network may only be made by personnel from the official supplier of electrical systems for BolognaFiere S.p.A at a point established at its

unquestionable discretion.

## **7) SPECIAL PROVISIONS**

### **7.A – Entry with bags or suitcases**

BolognaFiere has the right to deny entry to the Exhibition Centre and to halls to people carrying bags, suitcases or other containers and may require these to be deposited in the cloakroom.

### **7.B – Entry with dogs or other animals**

Only dogs on a leash and wearing a muzzle or in a dog carrier can be admitted to the Exhibition Centre, except for dogs specifically trained to assist disabled persons that can access without restrictions.

### **7.C – Ban on photography and filming and entry to the Exhibition Centre with photographic and filming equipment**

It is forbidden to enter the Exhibition Centre with cameras, film cameras, video recorders or any other type of filming equipment without the prior authorisation of BolognaFiere Spa. It is forbidden to photograph and film the interior of the Centre, the stands and the goods on display without the prior authorisation of BolognaFiere Spa and the stand owner.

### **7.D – Wireless Equipment**

Operators who intend to use wireless equipment (two-way radios, radio-microphones, radio-cameras, etc.) are obliged to use equipment that complies with standards (EU Directive 99/05 –CE trademark) and have proper authorization (Electronic Communication Code article 107), if necessary, and operate on permitted radio bands.

## **8) RIGHT OF CONTROL AND INTERVENTION BY BOLOGNAFIERE SPA**

BolognaFiere Spa takes steps to ensure that the regulations and the general conditions for participation are observed, and all those entering the Exhibition Centre are obliged to abide by the provisions and instructions that BolognaFiere Spa issues on entry to and inside the Centre; these instructions may take the form of signs, written notices and loudspeaker announcements and may also be issued by the service personnel or by any other means, it being understood that loud-speaker announcements and instructions given by the service staff shall take precedence over any other form of notification.

Exhibitors are reminded that failure to observe the rules or the violation of prohibitions may result in the immediate closure of the stand by officers or agents of BolognaFiere Spa, or in the withdrawal of the entry passes and parking stickers, nor shall this entitle the Exhibitor to any refund whatsoever.










## **9) MODIFICATIONS TO THESE REGULATIONS**

Any provisions of law or regulations that alter the terms of these Exhibition Regulations will be immediately and automatically effective, even though the printed Exhibition Regulations have not been modified or changed to reflect the said amendments.

In addition, BolognaFiere Spa has the right to adopt at any time such measures as are deemed appropriate, which the exhibitor shall immediately apply, with regard to fire prevention, workplace health and safety, accident and damage prevention, and the safety of exhibitors and visitors.

These latter provisions may be brought to the attention of Exhibitors by any means and they shall prevail over the general provisions in force up to that time.

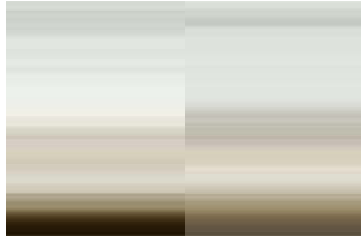
**ANNEX I-H**  
**ORIGINALS QUE ES PRESENTARAN A L'EXPOSICIÓ *SHARING A FUTURE*.**  
***BOOKS IN CATALAN* A LA FIRA DE BOLONYA**

Nº	Il·lustrador	OBRA ORIGINAL	MIDA en cm (amplada x alçada)
12	Albert Arrayás		42 x 29,7 (A3)
10	Albert Asensio		68 x 40
17	Rocio Bonilla		30 x 48
16	Mariona Cabassa		58 x 26
33	Zuzanna Celej	 <p data-bbox="523 1469 705 1487"><i>Pinguin Ursus Tui - Entropia - A3</i></p>	24,5 x 32
13	Bernat Cormand	 <p data-bbox="472 1617 593 1644"><i>el nen perfecte</i> <i>Mex Guzmán i Bernat Cormand</i></p>	16 x 21
40	Luís Demano		A3



39 Francesc Grimalt

30 x 60



35 Mercè López

28 x 19



34 Pep Montserrat

45,4 x 27,5



19 Roger Olmos

54 x 38



26 Sergi Portela

42 x 29,7  
(A3)



22 Gustavo Roldán

42 x 29,6



38 Jordi Vila Delclós

21 x 15